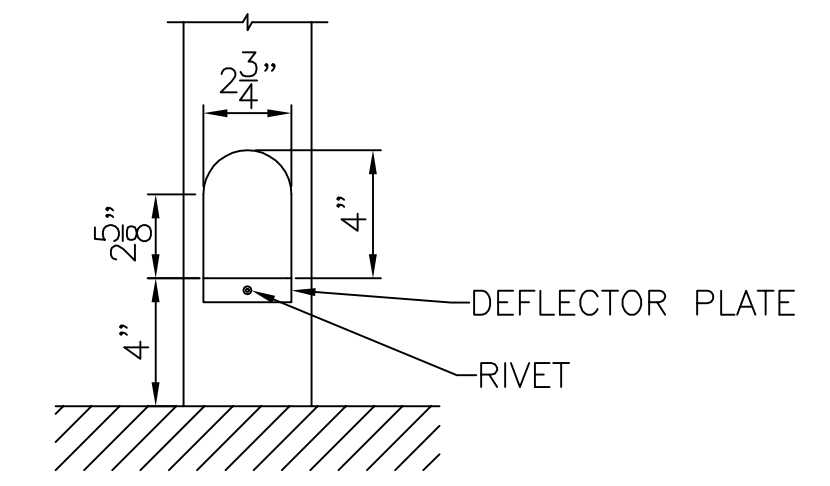


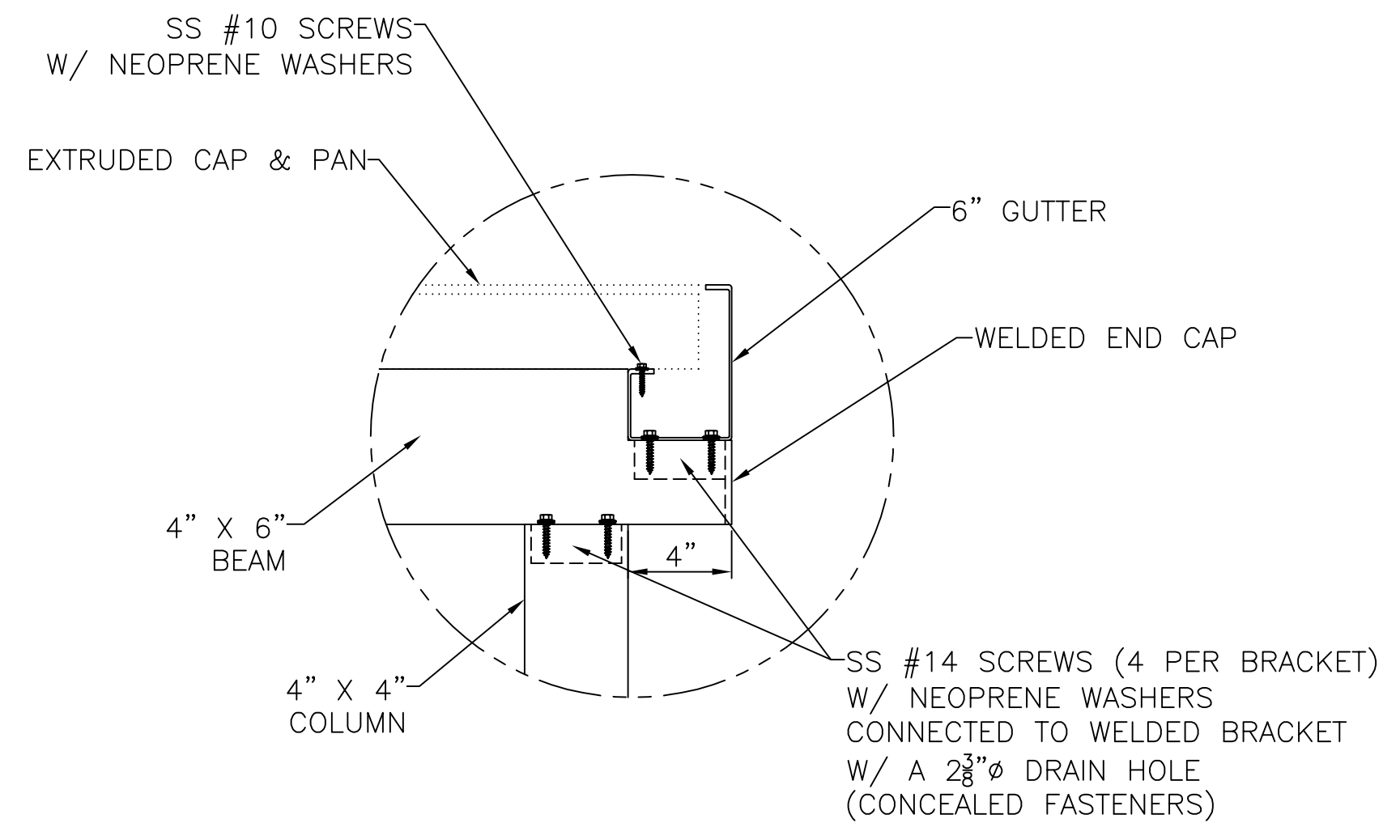
A
DETAIL PAGE 1
SECTION VIEW OF CANOPY
SCALE: 1/2" = 1'

- NOTES:**
- IF CANOPY WIDTH EXCEEDS 13'-0" USE BUS/PARENT DROP OFF CANOPY W/ LINEAL BEAMS DETAIL.
 - HEIGHT RECOMMENDED NOT TO EXCEED 12'-0" OR WIDTH OF CANOPY, WHICH EVER IS LOWER.

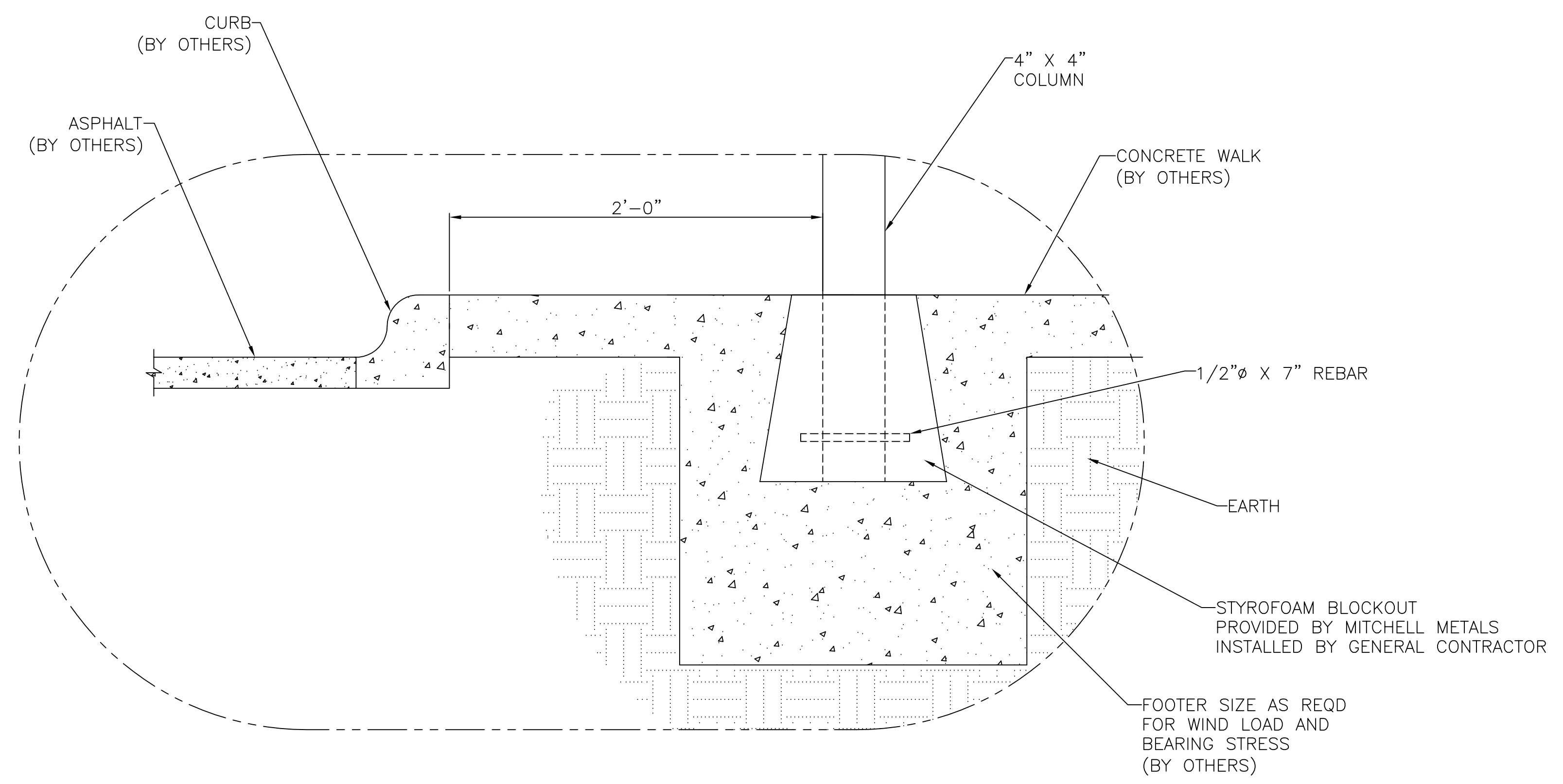


- NOTE:**
- CAULK DEFLECTOR PLATE INSIDE OF POST

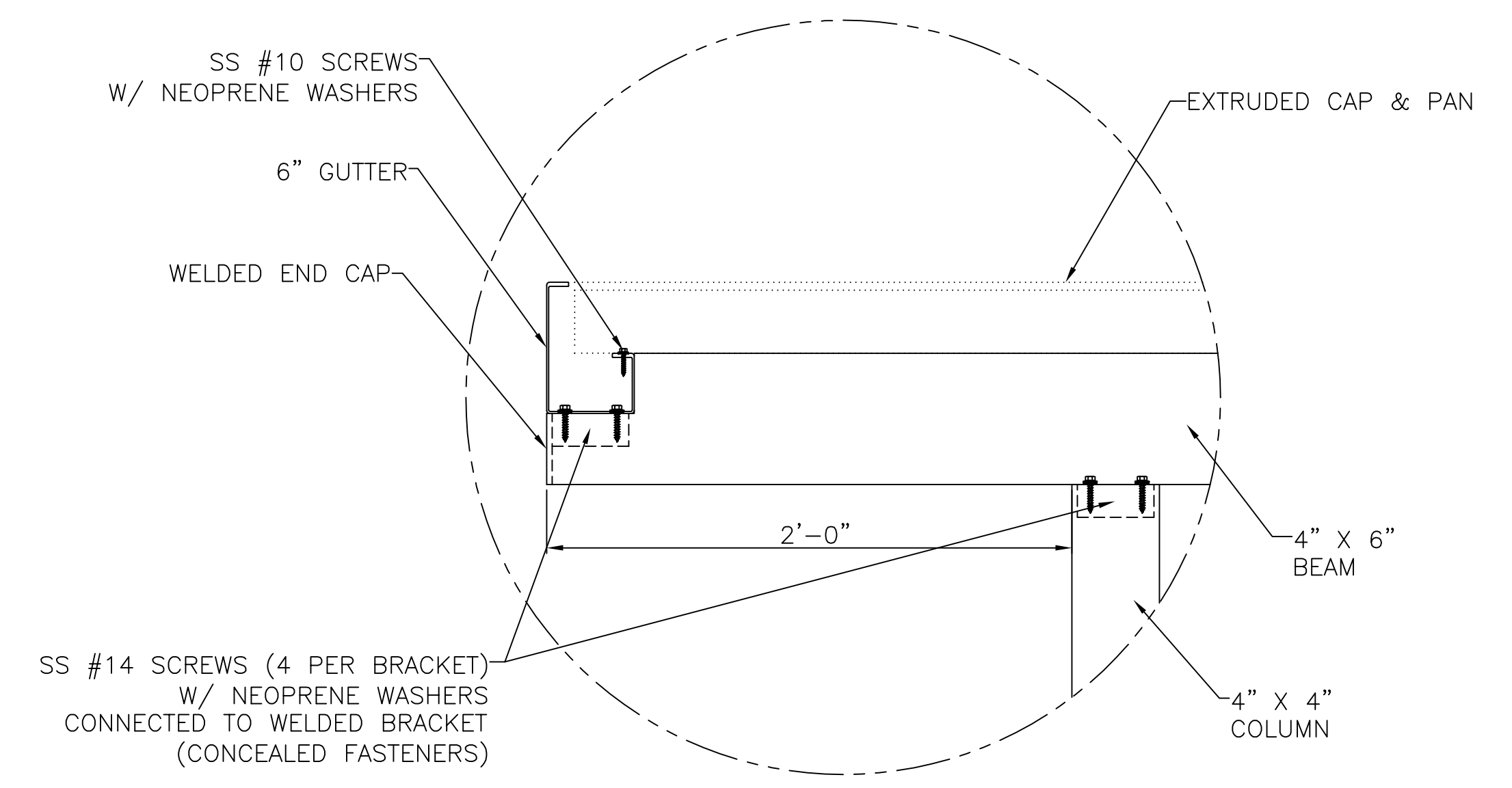
4
DETAIL PAGE 1
DETAIL VIEW OF CANOPY
SCALE: 2" = 1'



3
DETAIL PAGE 1
DETAIL VIEW OF CANOPY
SCALE: 2" = 1'



1
DETAIL PAGE 1
DETAIL VIEW OF CANOPY
SCALE: 2" = 1'



2
DETAIL PAGE 1
DETAIL VIEW OF CANOPY
SCALE: 2" = 1'

Revisions
#

General Contractor:	Arch:	SCALE: AS NOTED
DRAWN BY: WCH	DRAWING NUMBER:	DATE: 08/18/08
PAGE:		

**BUS/PARENT
DROP OFF CANOPY**