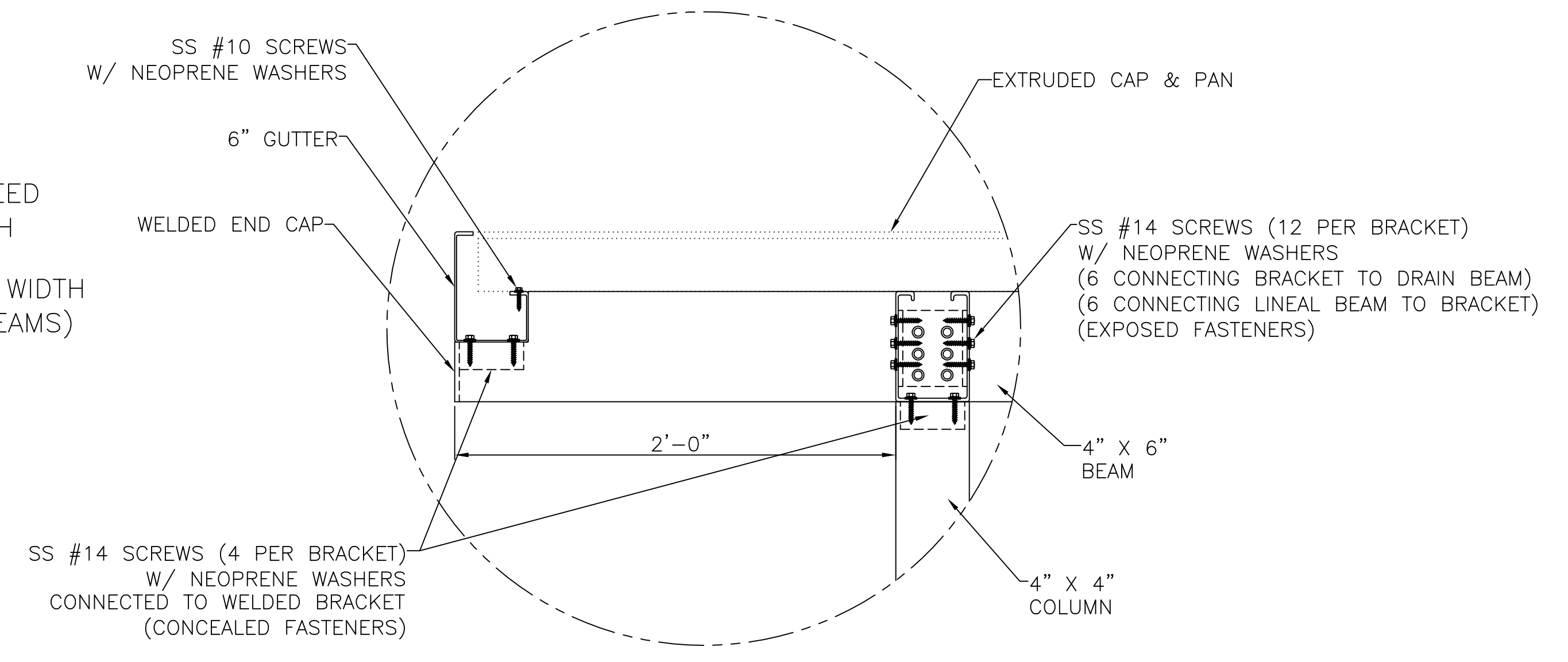
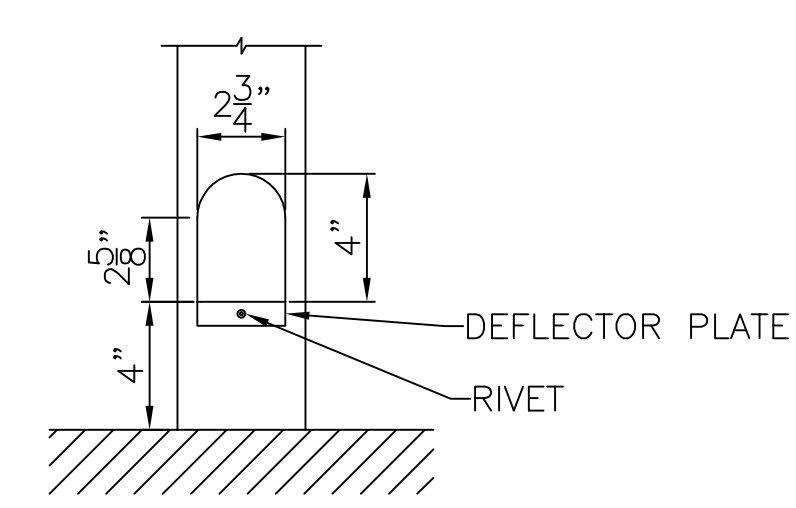


SECTION VIEW OF CANOPY
SCALE: 1/2" = 1'

- NOTES:
- HEIGHT RECOMMENDED NOT TO EXCEED 12'-0" OR WIDTH OF CANOPY, WHICH EVER IS LOWER.
 - RECOMMENDED TO USE ONLY WHEN WIDTH EXCEEDS 13'-0" (DUE TO LINEAL BEAMS)

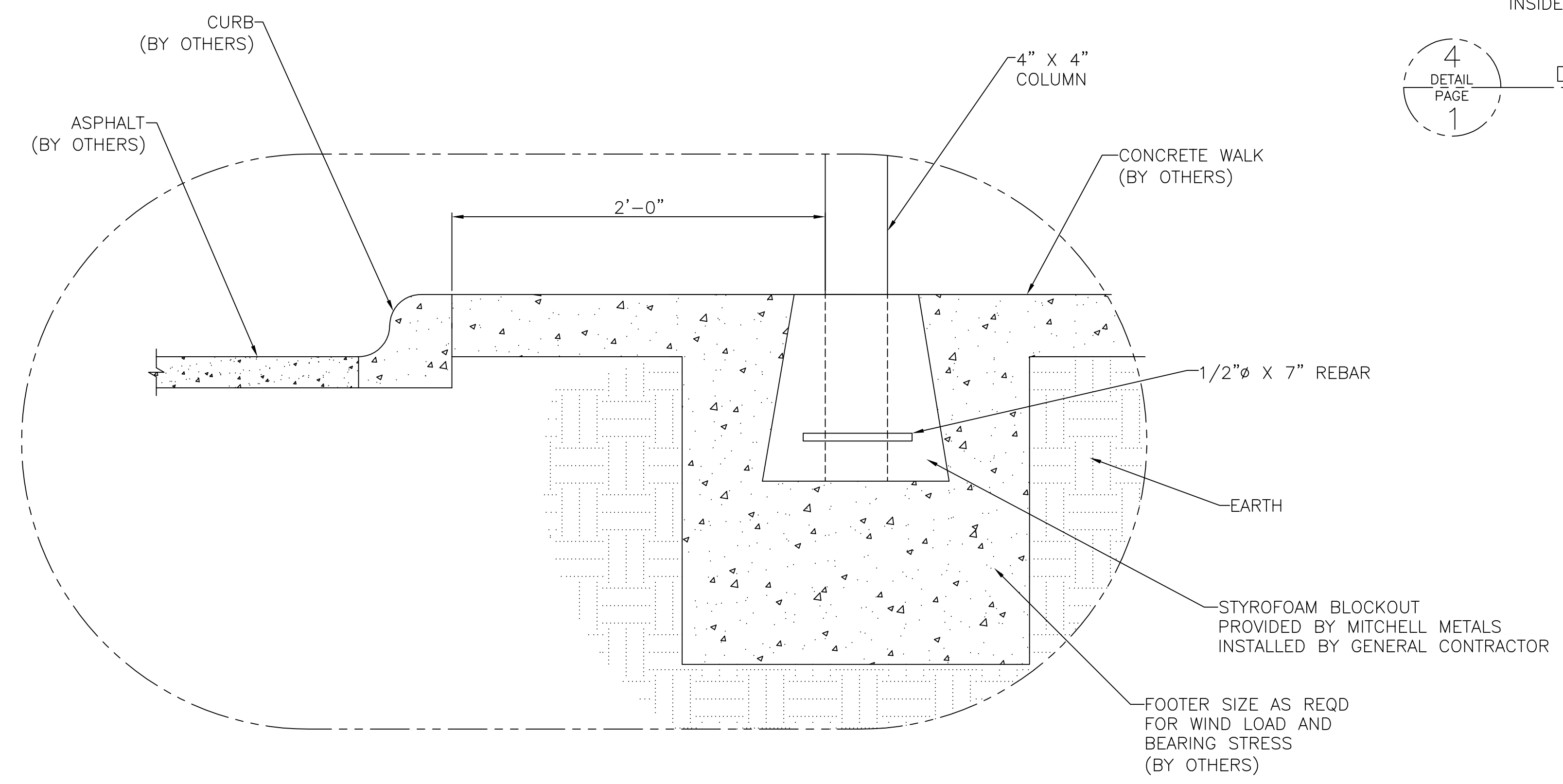


DETAIL VIEW OF CANOPY
SCALE: 2" = 1'

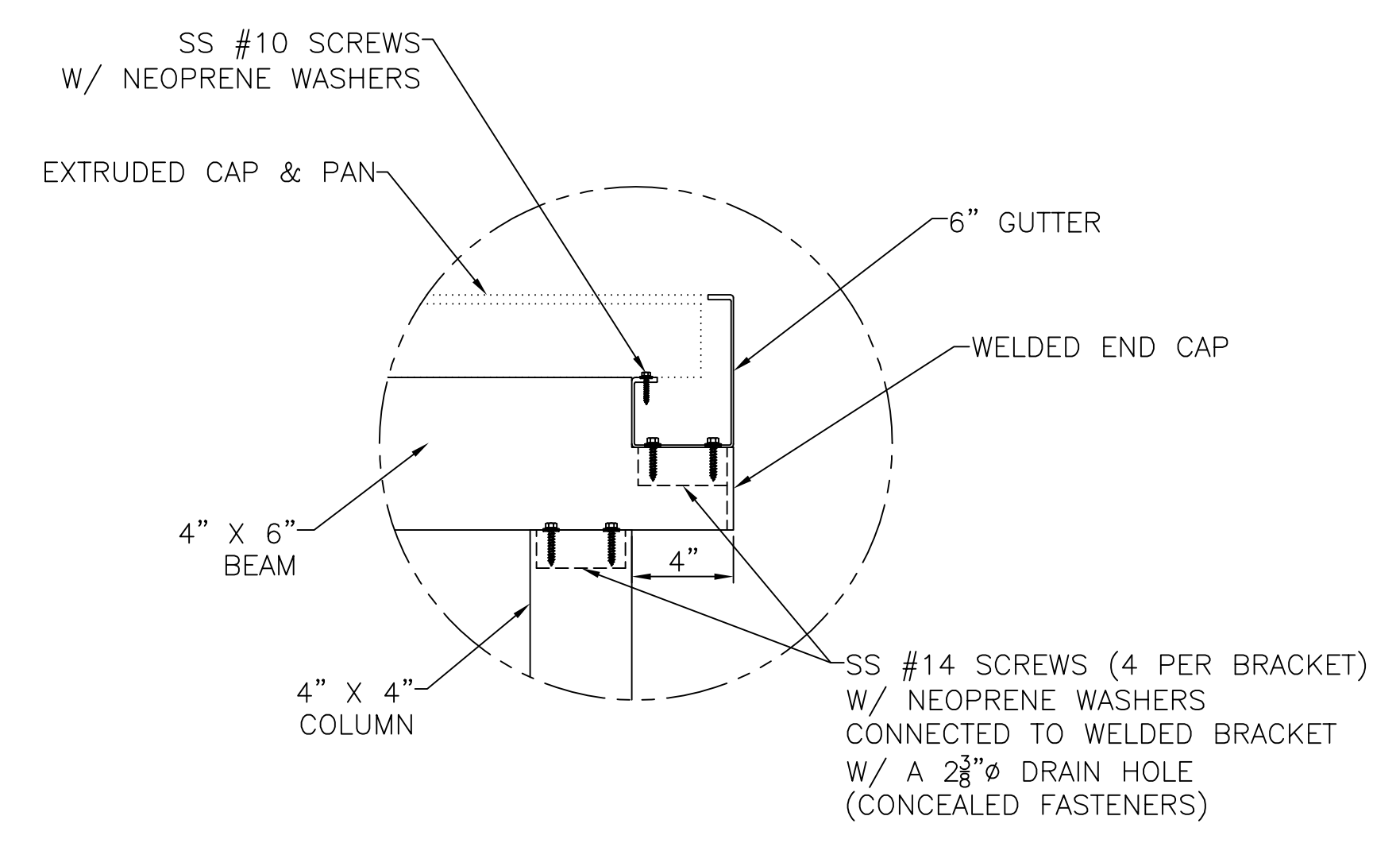


- NOTE:
- CAULK DEFLECTOR PLATE INSIDE OF POST

DETAIL VIEW OF CANOPY
SCALE: 2" = 1'



DETAIL VIEW OF CANOPY
SCALE: 2" = 1'



DETAIL VIEW OF CANOPY
SCALE: 2" = 1'

Revisions #

General Contractor:	Arch:	SCALE: AS NOTED	DATE: 08/18/08
DRAWN BY: WCH	DRAWING NUMBER:		PAGE:

**BUS/PARENT
DROP OFF CANOPY
W/ LINEAL BEAMS**