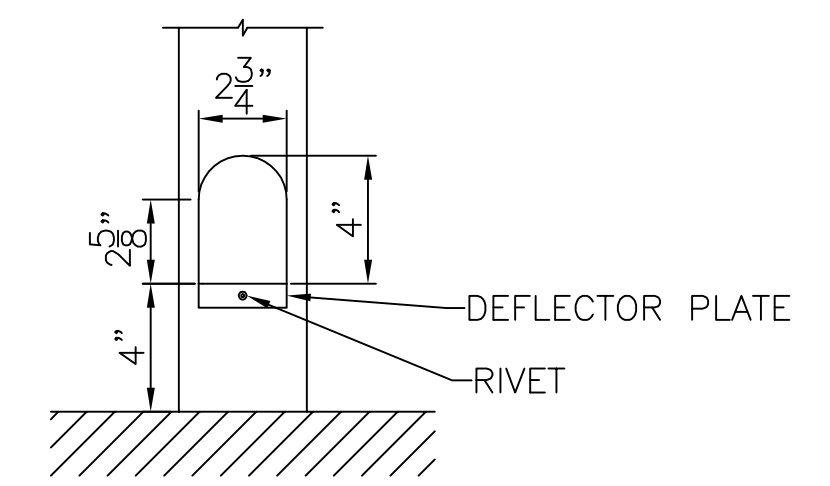


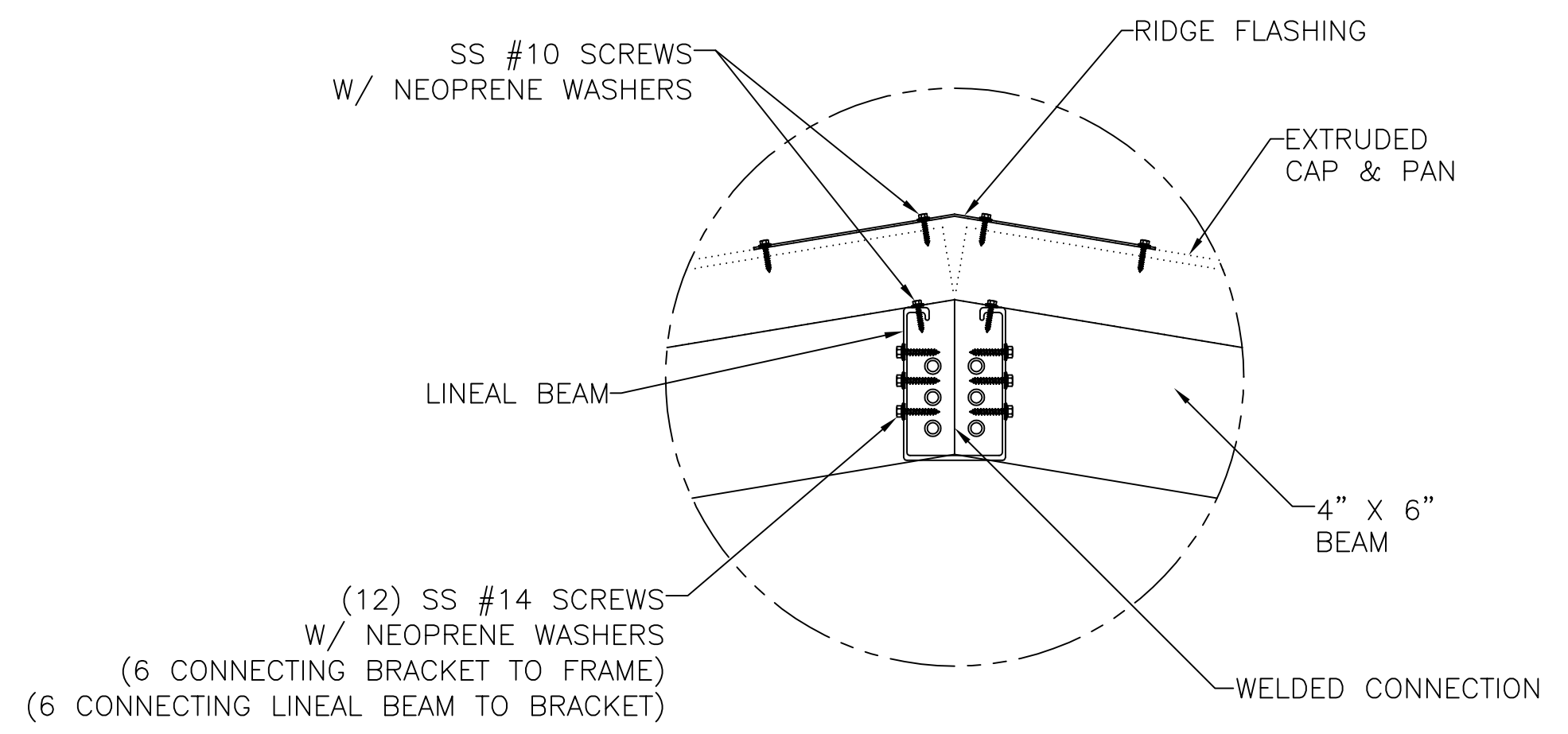
SECTION VIEW OF CANOPY  
SCALE: 1/2"=1'

- NOTES:
- HEIGHTS RECOMMENDED NOT TO EXCEED 12'-0" OR WIDTH OF CANOPY, WHICH EVER IS LOWER.
  - CANOPY CAN BE FABRICATED IN A VARIETY OF PITCHES & WIDTHS.

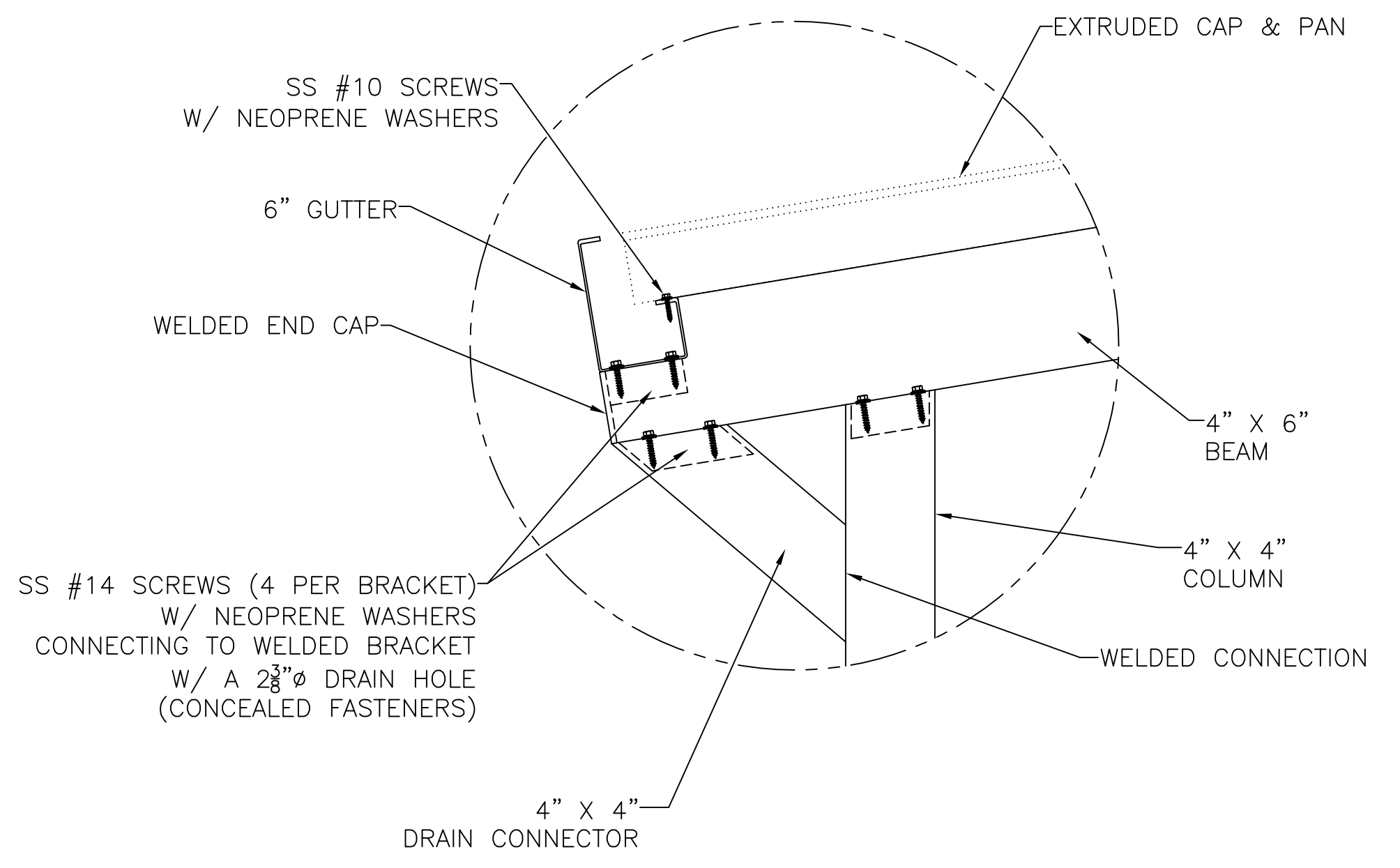


- NOTE:
- CAULK DEFLECTOR PLATE INSIDE OF POST

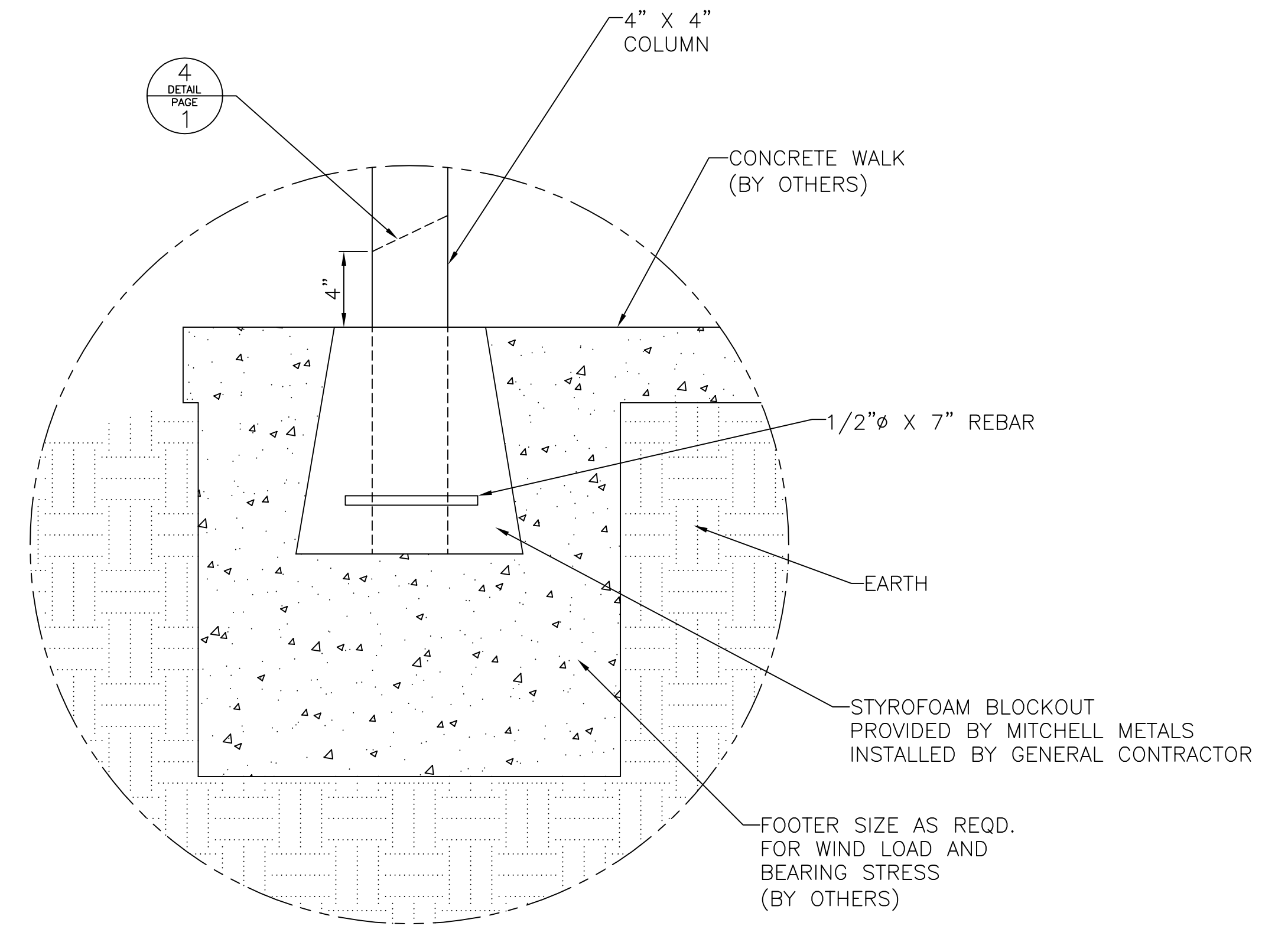
DETAIL VIEW OF CANOPY  
SCALE: 2"=1'



DETAIL VIEW OF CANOPY  
SCALE: 2"=1'



DETAIL VIEW OF CANOPY  
SCALE: 2"=1'



DETAIL VIEW OF CANOPY  
SCALE: 2"=1'

Revisions  
#

General Contractor:  
Arch:  
DRAWN BY: WCH  
DRAWING NUMBER:  
PAGE:  
SCALE: AS NOTED  
DATE: 09-15-09

**GABLED CANOPY W/ NO CROSS BEAMS**