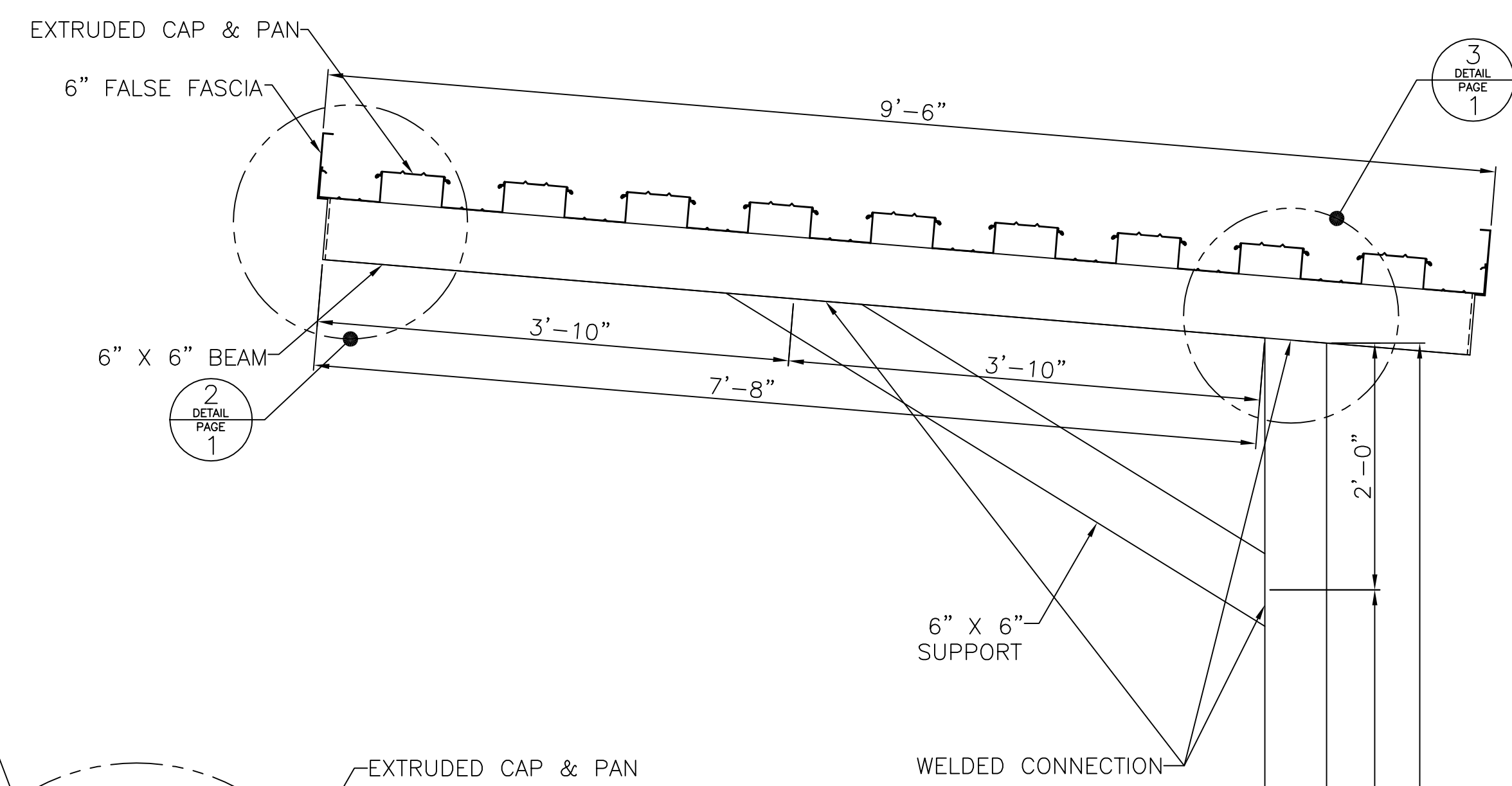
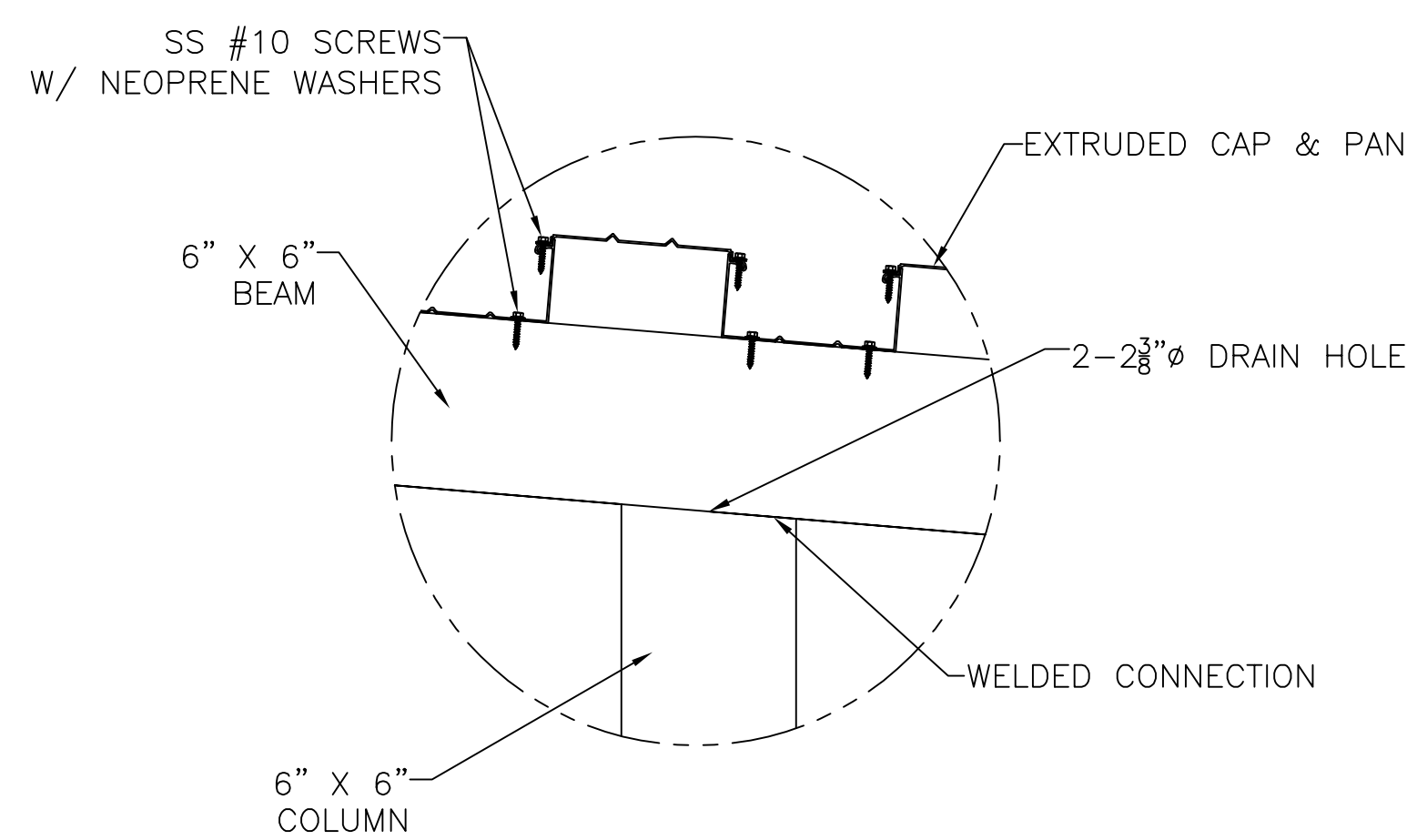


2
DETAIL
PAGE
1
DETAIL VIEW OF CANOPY
SCALE: 2"=1'

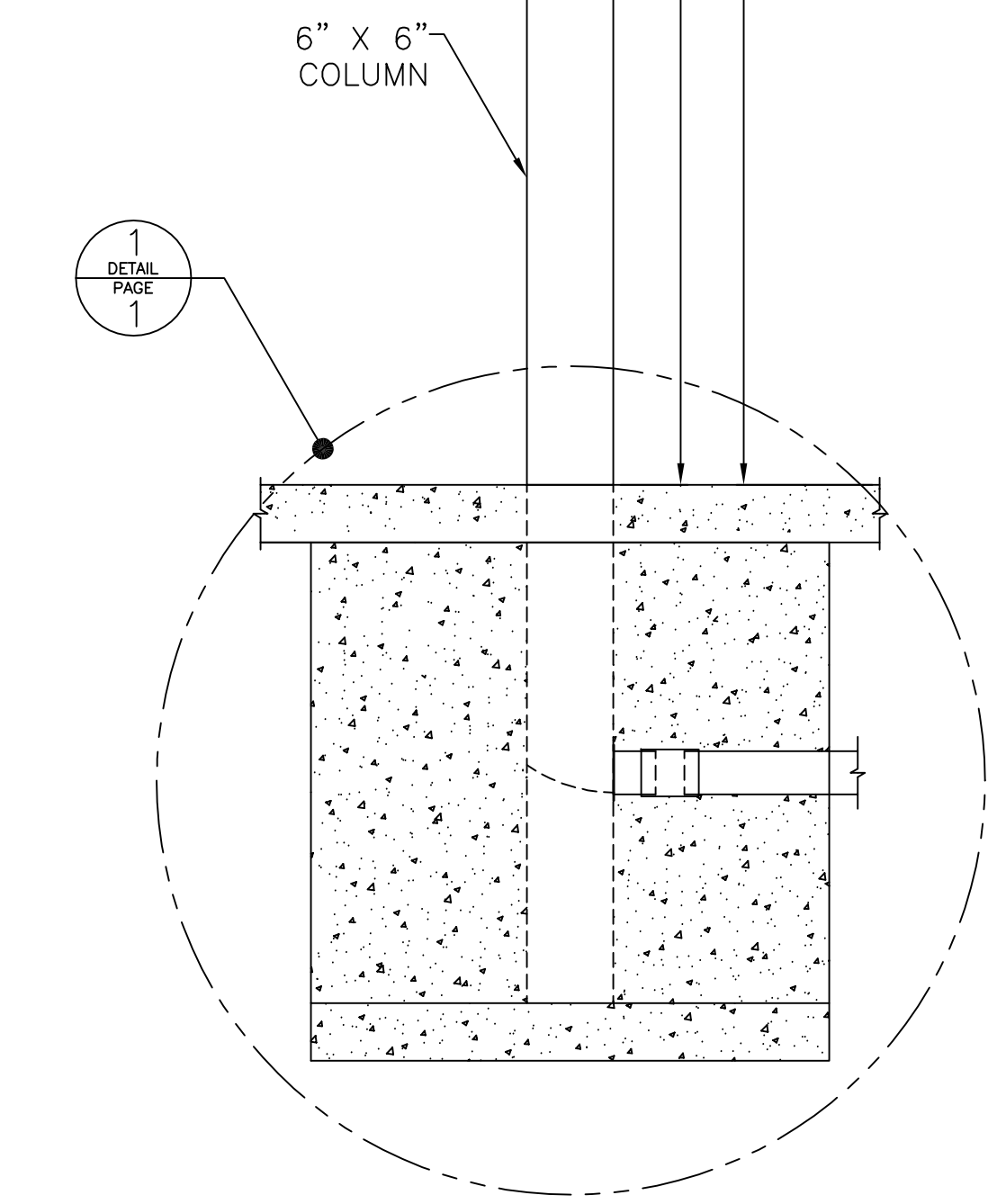


2
DETAIL
PAGE
1

3
DETAIL
PAGE
1

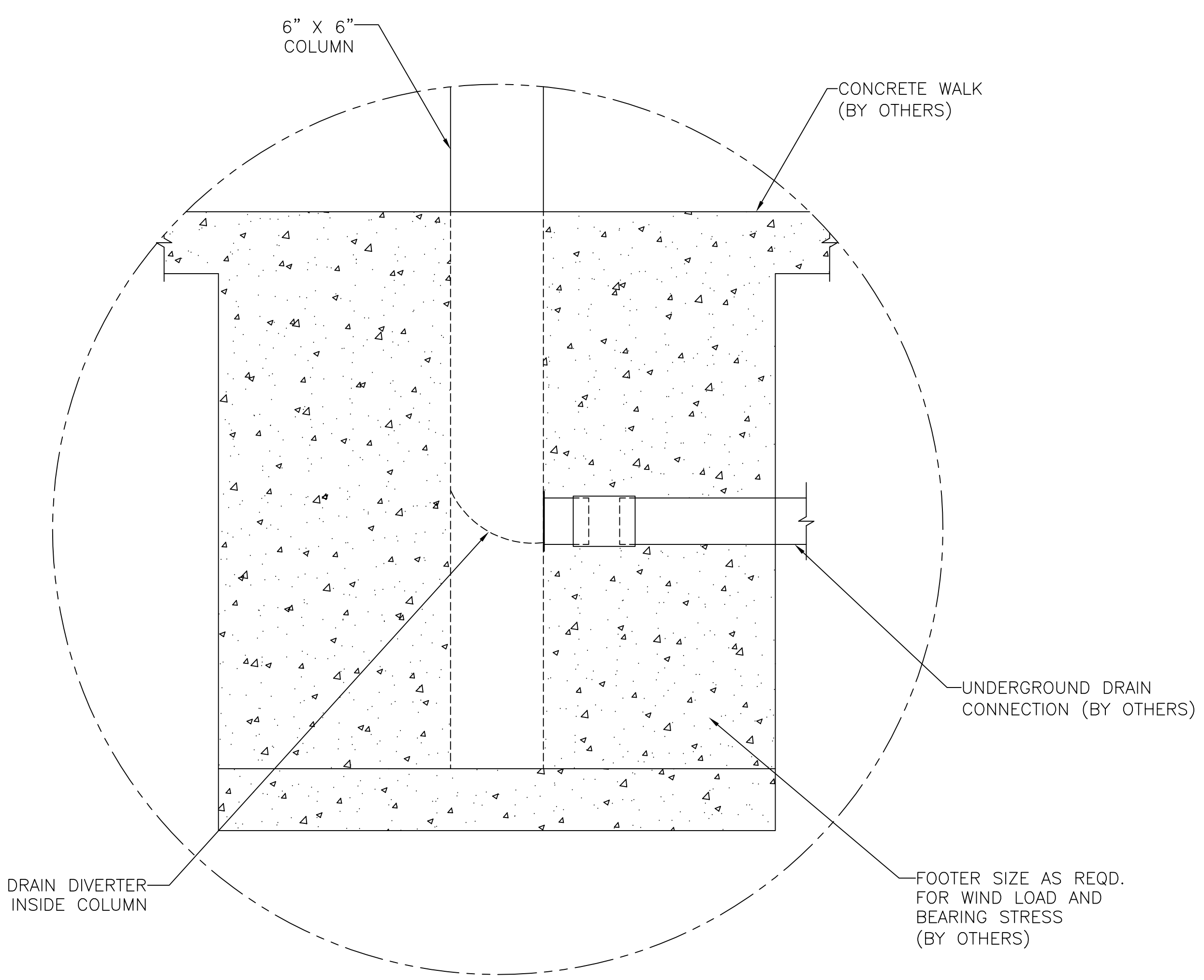


3
DETAIL
PAGE
1
DETAIL VIEW OF CANOPY
SCALE: 2"=1'



1
DETAIL
PAGE
1

A
DETAIL
PAGE
1
SECTION VIEW OF CANOPY
SCALE: 1"=1'



1
DETAIL
PAGE
1
DETAIL VIEW OF CANOPY
SCALE: 2"=1'

- NOTES:
- HEIGHT RECOMMENDED NOT TO EXCEED 12'-0" OR WIDTH OF CANOPY, WHICH EVER IS LOWER
 - UNDERGROUND DRAINAGE FOR THIS CANOPY IS OPTIONAL

Revisions	#

General Contractor:	Arch:	SCALE: AS NOTED
DRAWN BY: WCH	DRAWING NUMBER:	DATE: 09-15-09
PAGE:		

**9' - 6" WIDE ONE LEG
SUPPORT CANOPY**