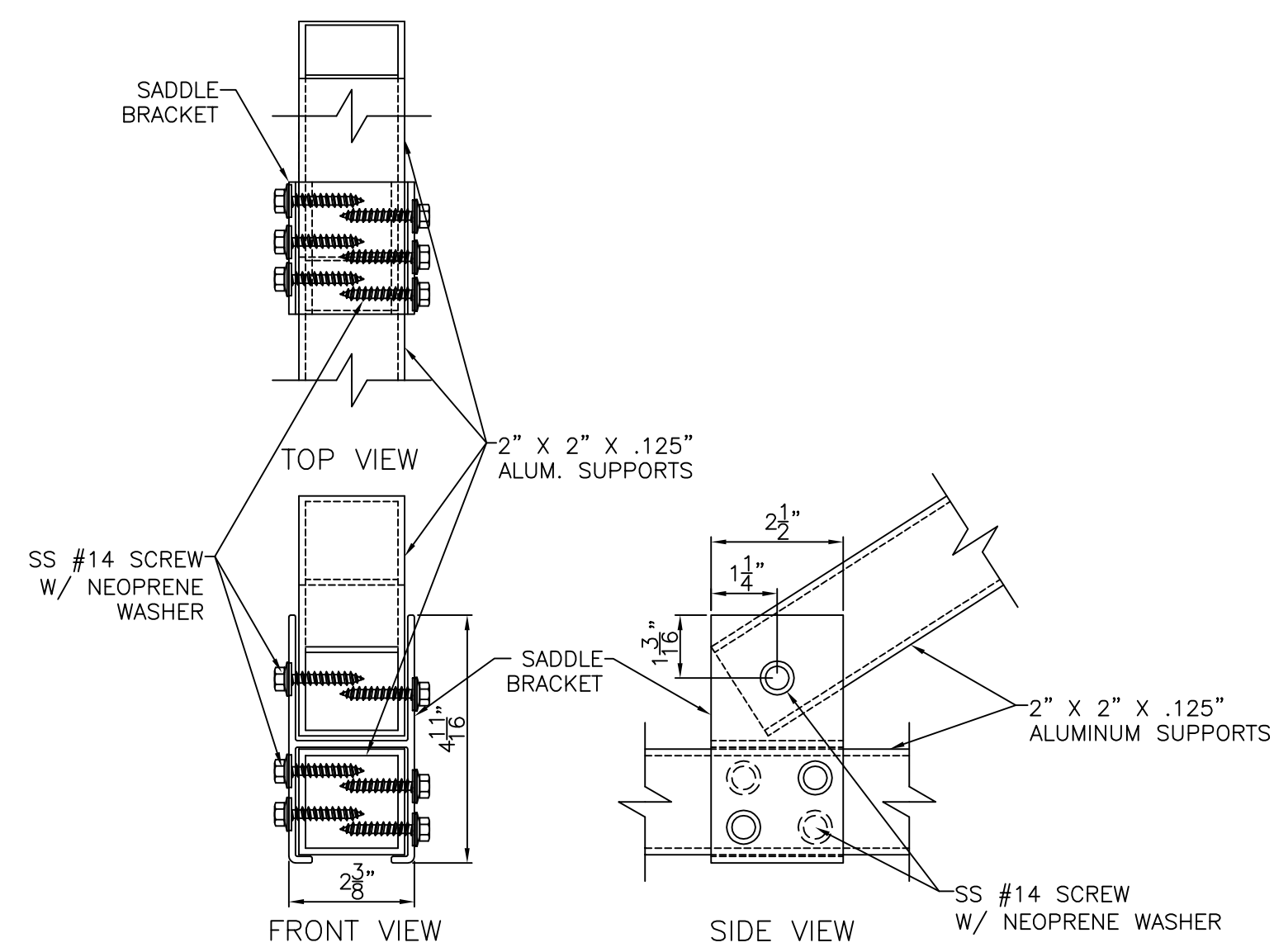
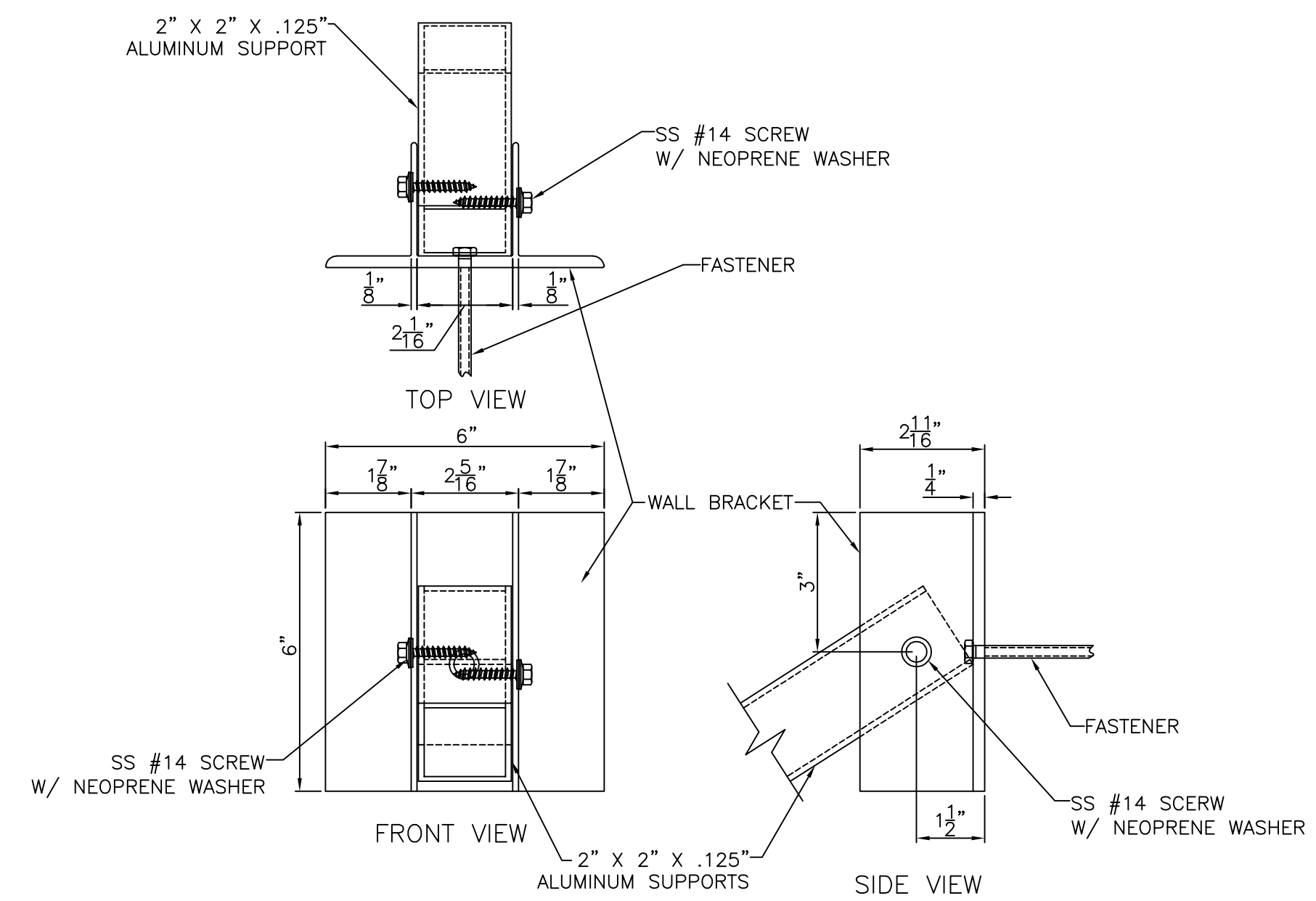


SECTION VIEW OF CANOPY  
SCALE: 2"=1'



DETAIL VIEW OF SADDLE BRACKET  
SCALE: 4"=1'



DETAIL VIEW OF WALL BRACKET  
SCALE: 4"=1'

4' PROJECTION  
OHS 2" X 2" TUBE  
DOOR CANOPY

General Contractor:  
Arch:

SCALE: AS NOTED

DATE: 09-03-09

DRAWING NUMBER:  
PAGE: 1 OF 1

Revisions

#