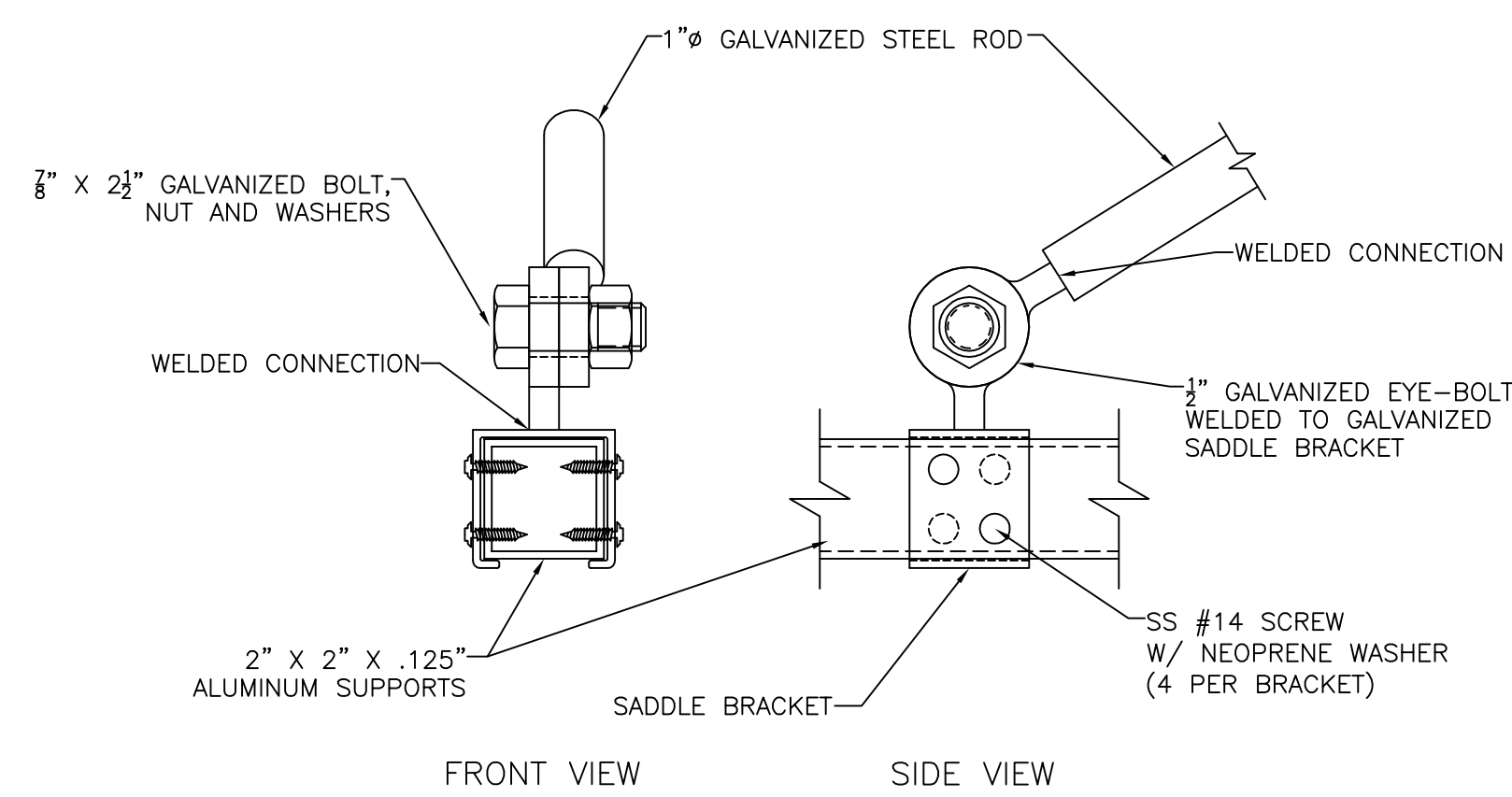
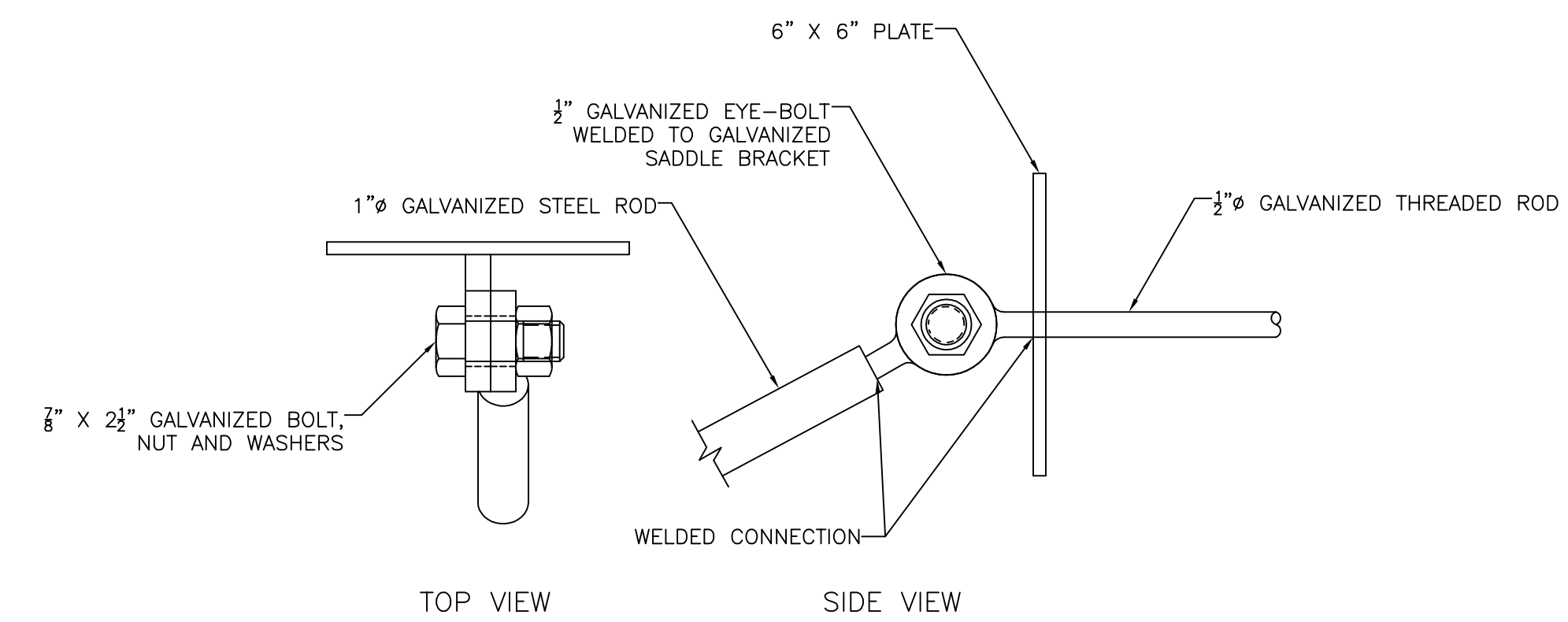


A
DETAIL PAGE 1
SECTION VIEW OF CANOPY
SCALE: 2"=1'



1
DETAIL PAGE 1
DETAIL VIEW OF CANOPY
SCALE: 4"=1'



2
DETAIL PAGE 1
DETAIL VIEW OF CANOPY
SCALE: 4"=1'

Revisions	#

General Contractor:	Arch:	SCALE: AS NOTED	DATE: 09-03-09

4' PROJECTION
OHS ROUND ROD
DOOR CANOPY