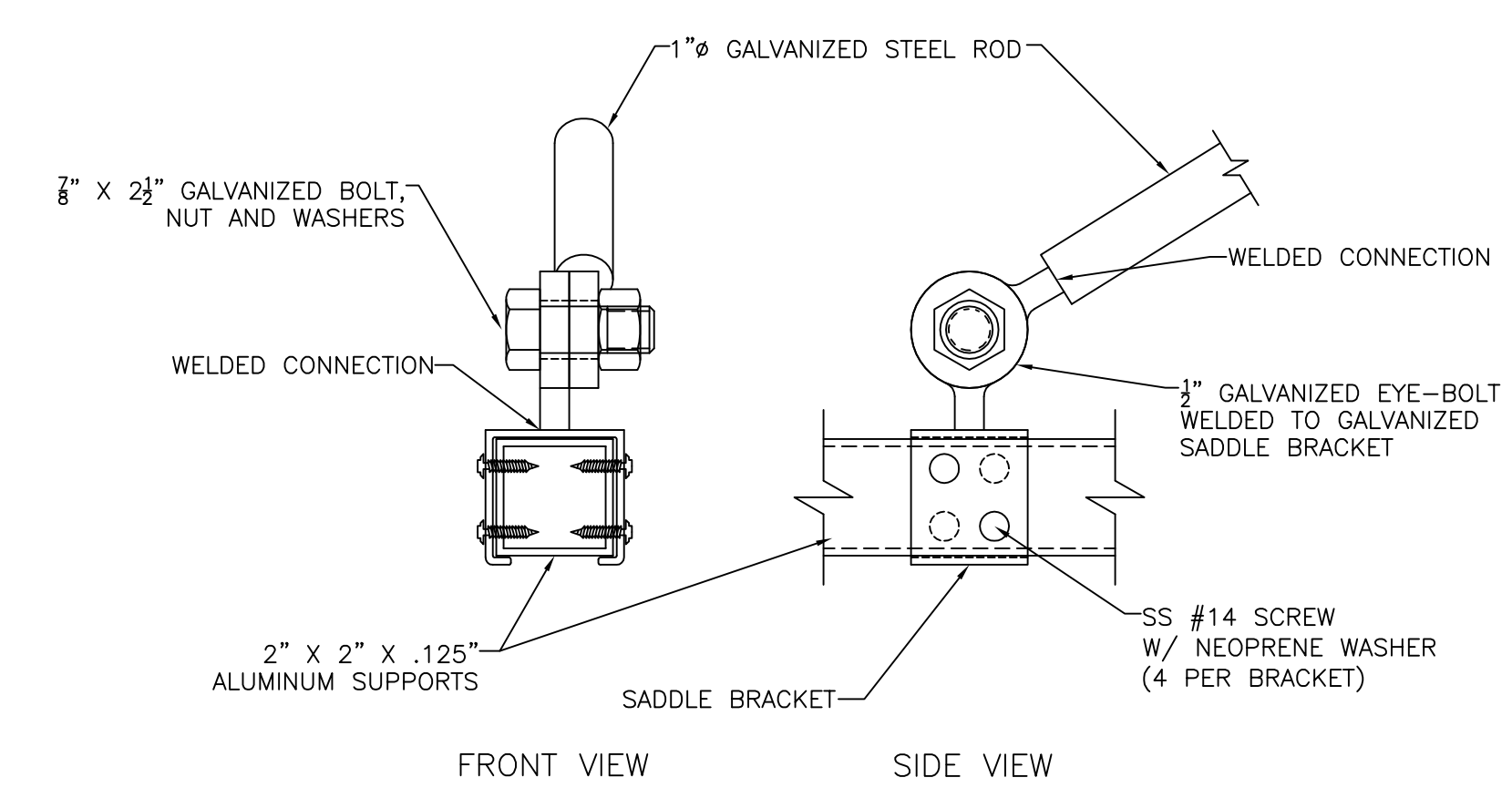
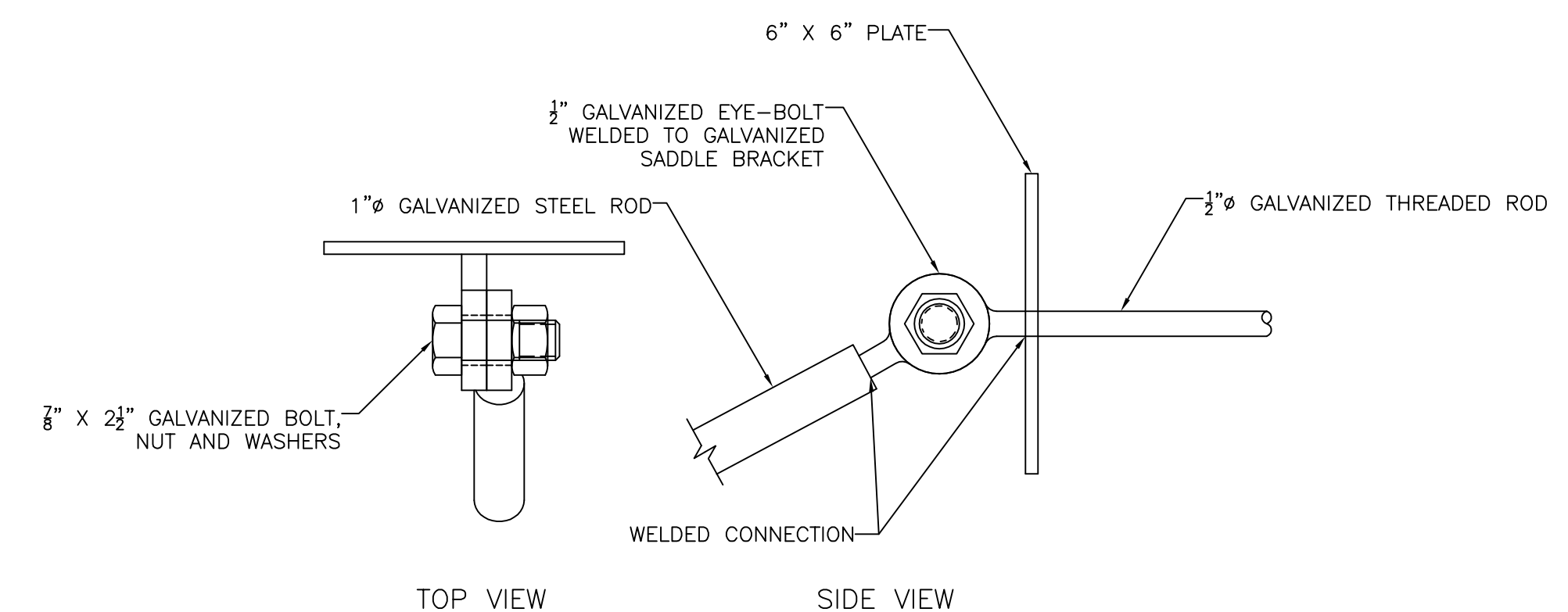


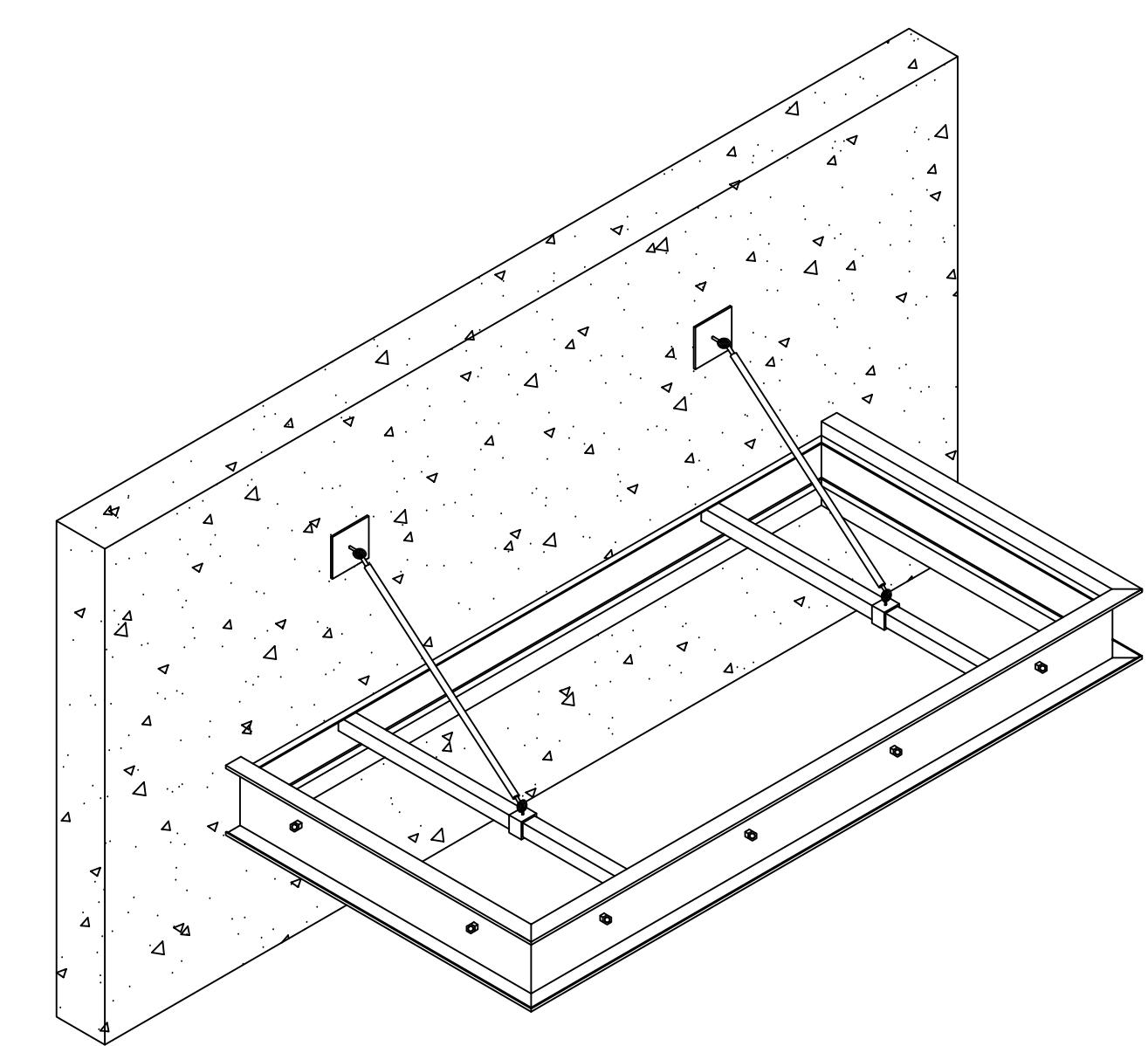
SECTION VIEW OF CANOPY
SCALE: 2"=1'



DETAIL VIEW OF CANOPY
SCALE: 4"=1'



DETAIL VIEW OF CANOPY
SCALE: 4"=1'



Revisions

#

General Contractor:
Arch:

SCALE: AS NOTED
DATE: 09-03-09

DRAWN BY: WCH
DRAWING NUMBER:
PAGE: 1 OF 1

**C - BEAM
OHS DOOR CANOPY**