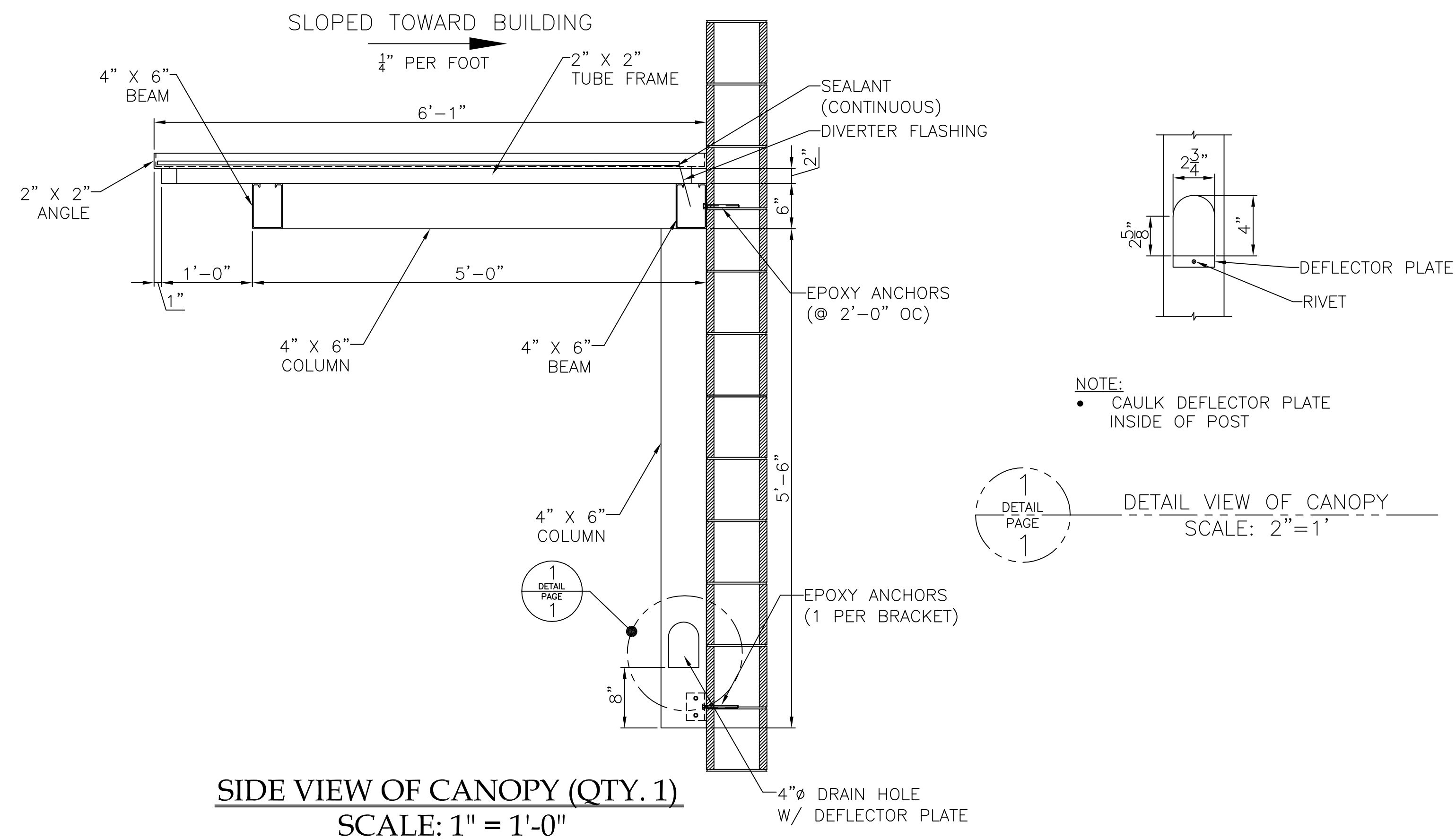


**TOP VIEW OF ALUM. FRAME (QTY. 1)**  
SCALE: 1" = 1'-0"

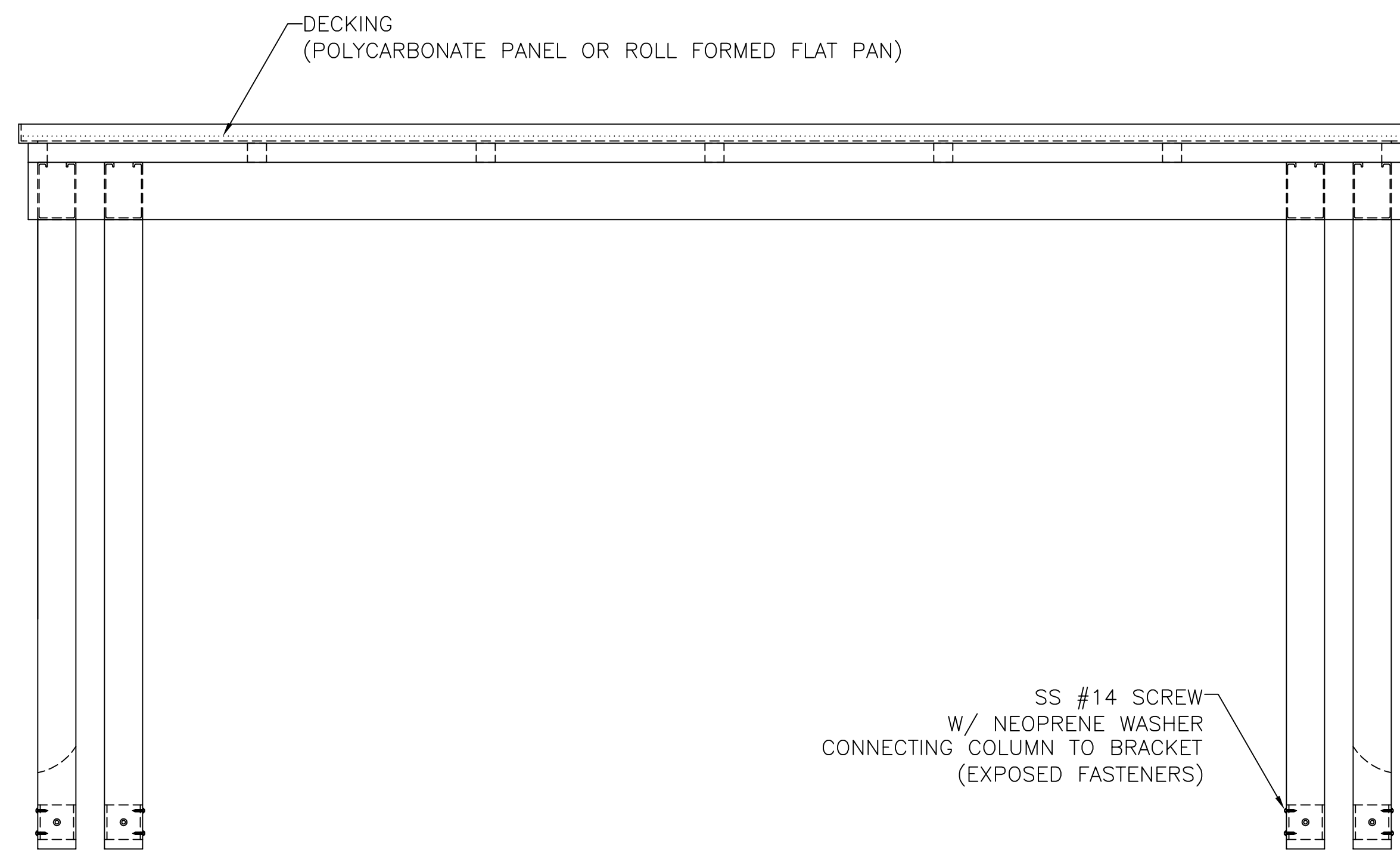


**SIDE VIEW OF CANOPY (QTY. 1)**  
SCALE: 1" = 1'-0"

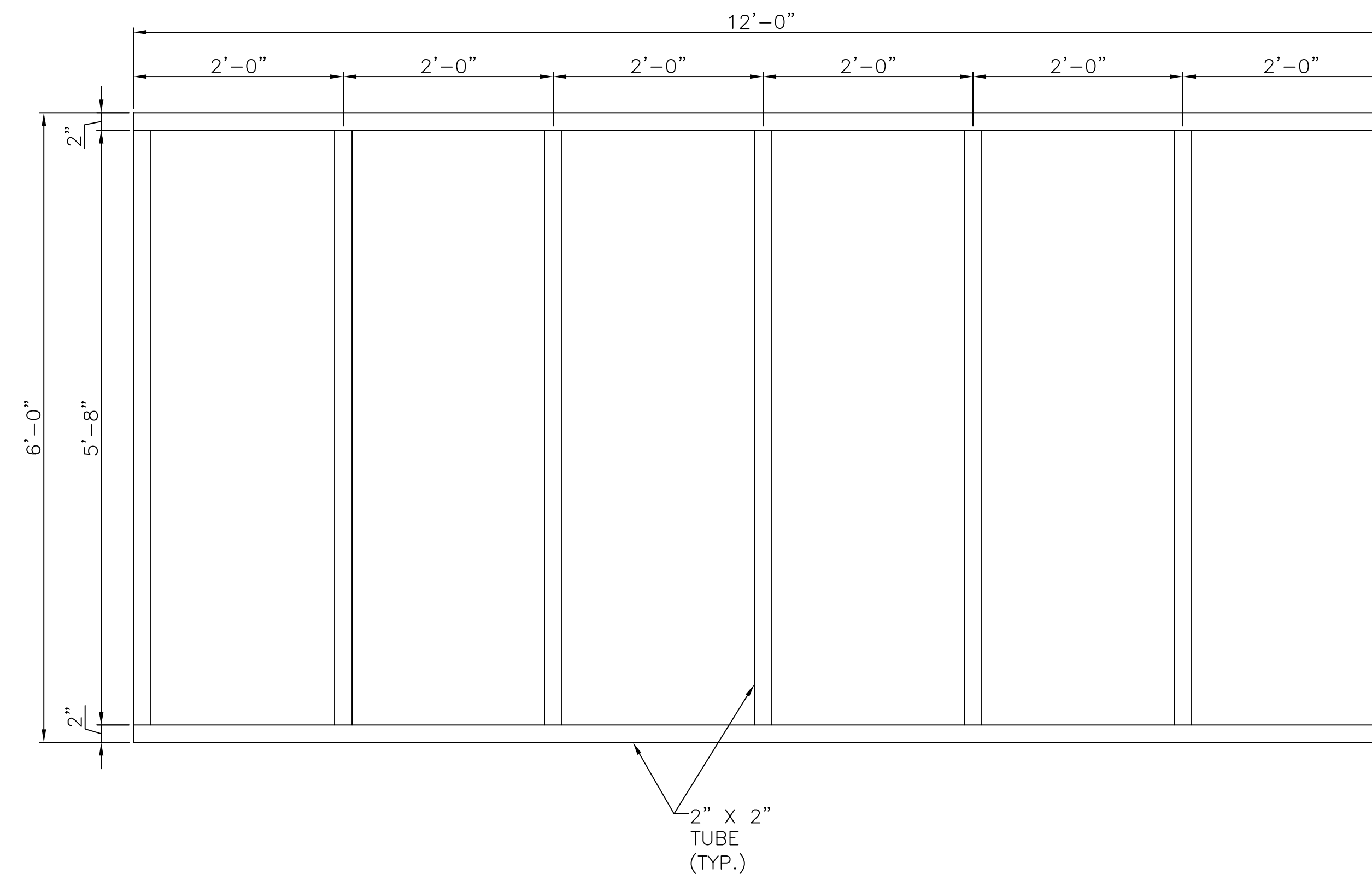
NOTE:  
• CAULK DEFLECTOR PLATE INSIDE OF POST

1  
1  
DETAIL PAGE  
DETAIL VIEW OF CANOPY  
SCALE: 2" = 1'

- NOTES:
- ALL FRAMING CONNECTIONS TO BE WELDED.
  - 2" X 2" TUBE FRAME WILL SIT ON TOP OF 4" X 6" ALUM. COLUMN & BEAM FRAME.



**FRONT VIEW OF CANOPY (QTY. 1)**  
SCALE: 1" = 1'-0"



**TOP VIEW OF 2" X 2" TUBE FRAME (QTY. 1)**  
SCALE: 1" = 1'-0"

General Contractor:	
Arch:	
DRAWN BY: WCH	SCALE: AS NOTED
DRAWING NUMBER:	DATE: 09-03-09
PAGE: 1 OF 1	