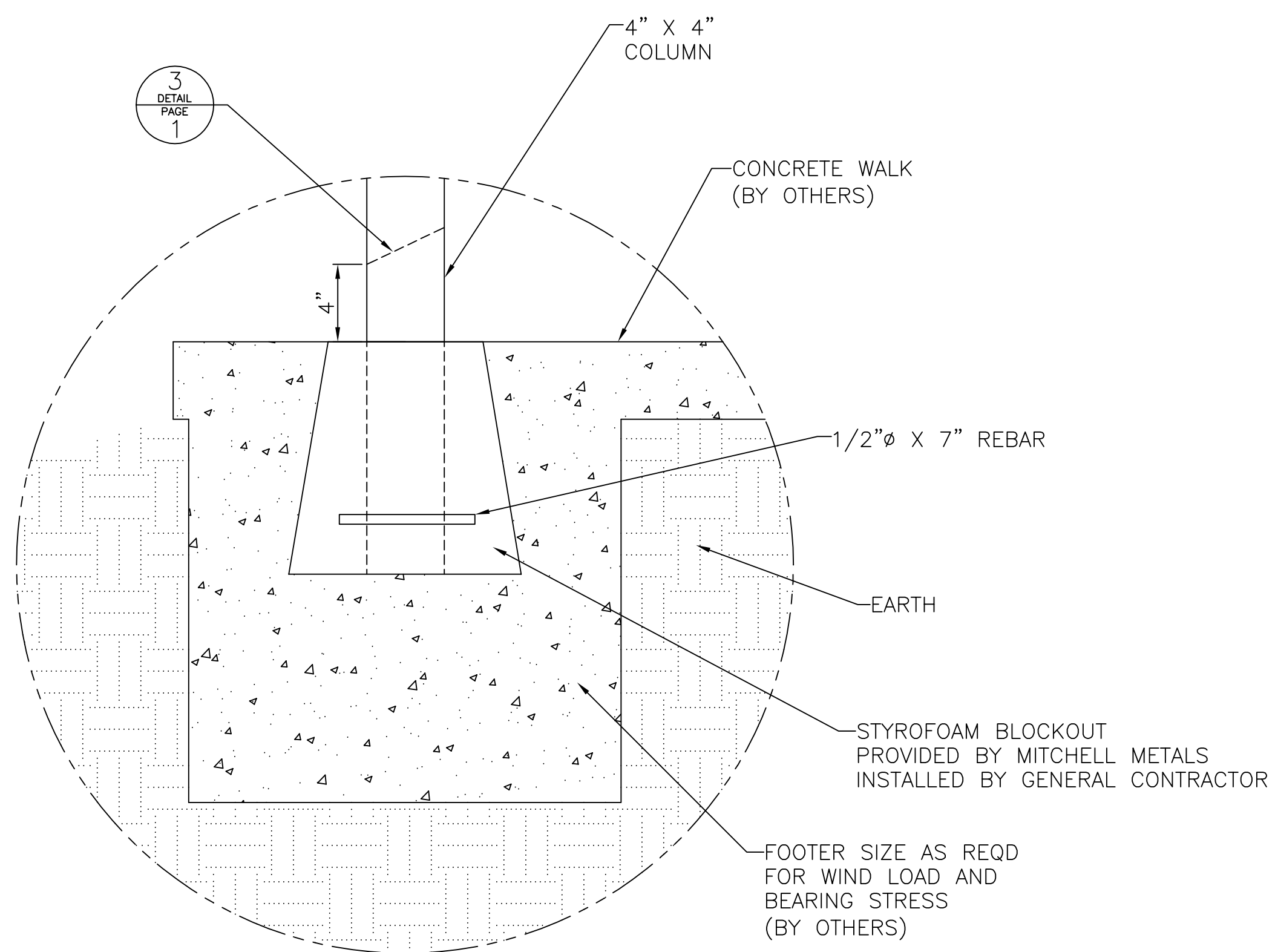
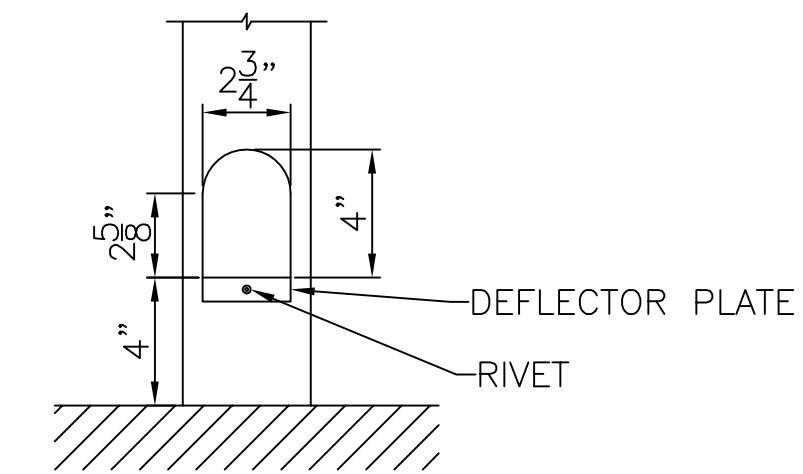


A
DETAIL PAGE 1
SECTION VIEW OF CANOPY
SCALE: 1/2" = 1'



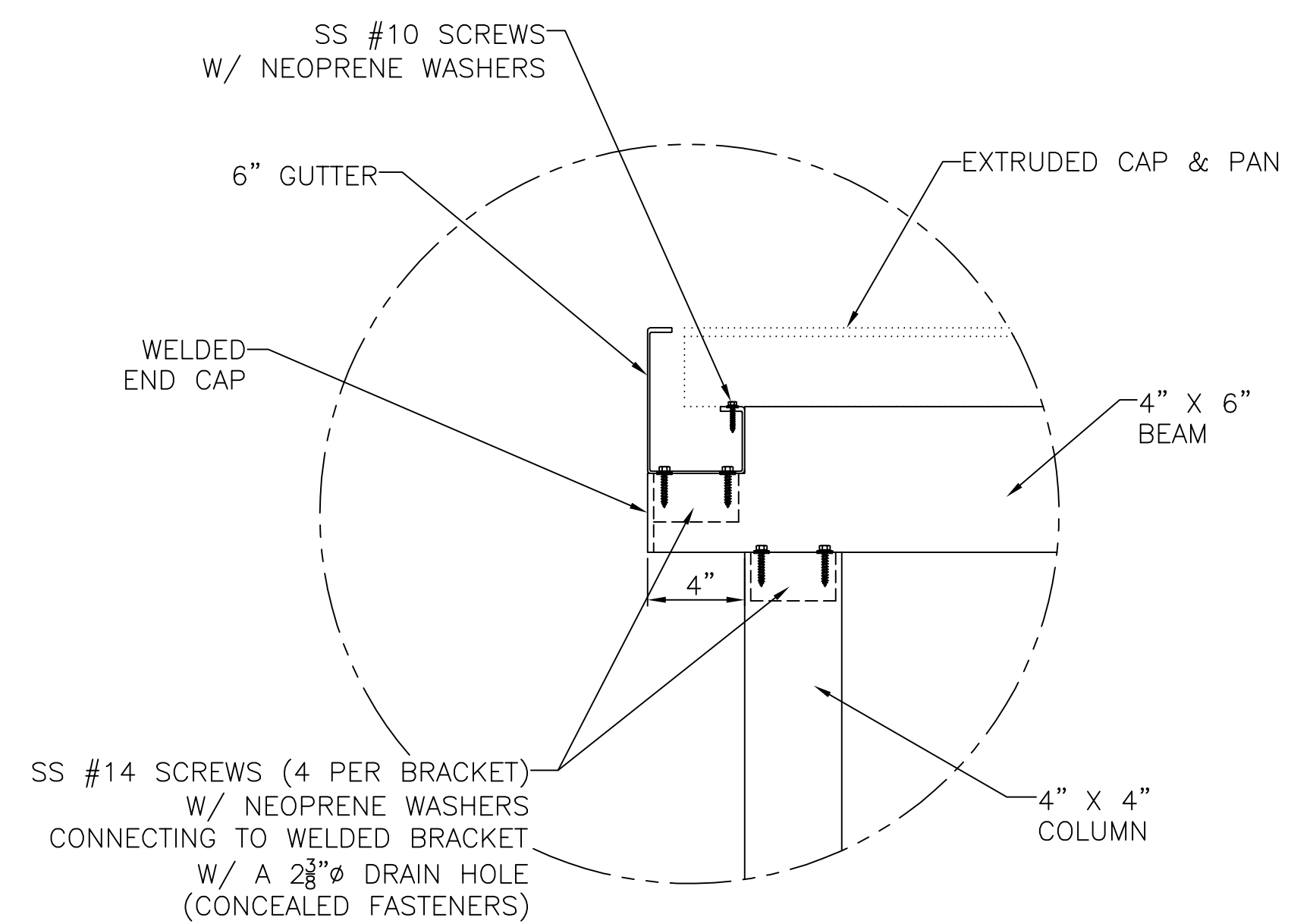
DETAIL PAGE 1
DETAIL VIEW OF CANOPY
SCALE: 2" = 1'

- NOTES:**
- WIDTH RECOMMENDED NOT TO EXCEED 13'-0".
 - HEIGHT RECOMMENDED NOT TO EXCEED 12'-0" OR WIDTH OF CANOPY, WHICH EVER IS LOWER.



- NOTE:**
- CAULK DEFLECTOR PLATE INSIDE OF POST

DETAIL PAGE 1
DETAIL VIEW OF CANOPY
SCALE: 2" = 1'



DETAIL PAGE 1
DETAIL VIEW OF CANOPY
SCALE: 2" = 1'

Revisions	#

General Contractor:	Arch:	SCALE: AS NOTED	DATE: 08/18/08
DRAWN BY: WCH	DRAWING NUMBER:	PAGE:	

**WALKWAY CANOPY
W/ BEAMS**