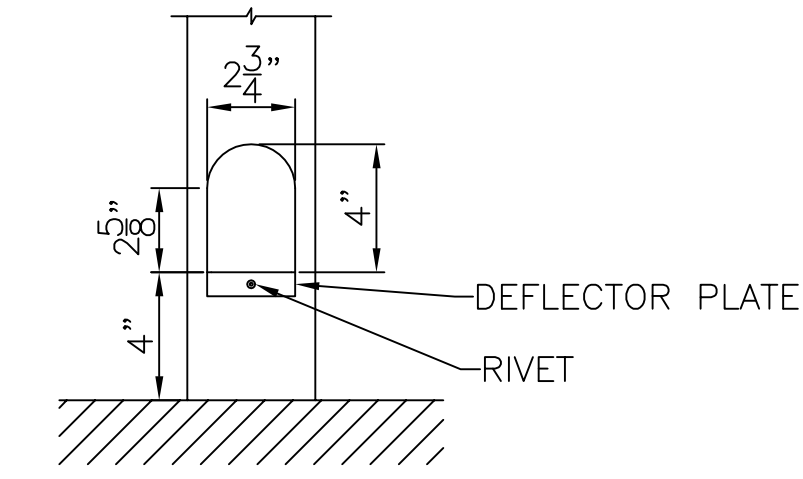


- NOTES:
- WIDTH RECOMMENDED NOT TO EXCEED 13'-0".
- HEIGHT RECOMMENDED NOT TO EXCEED 12'-0" OR WIDTH OF CANOPY, WHICH EVER IS LOWER.

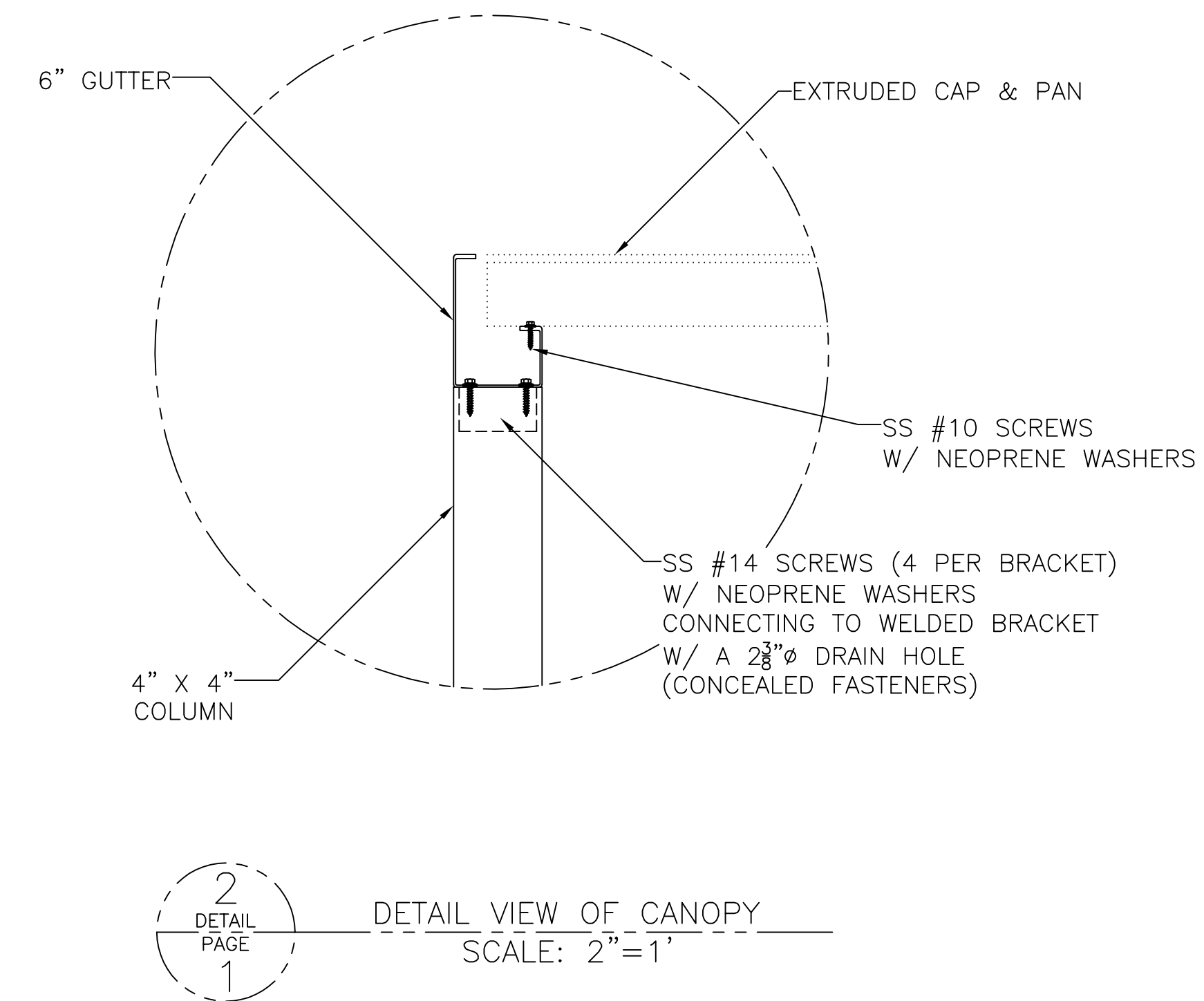
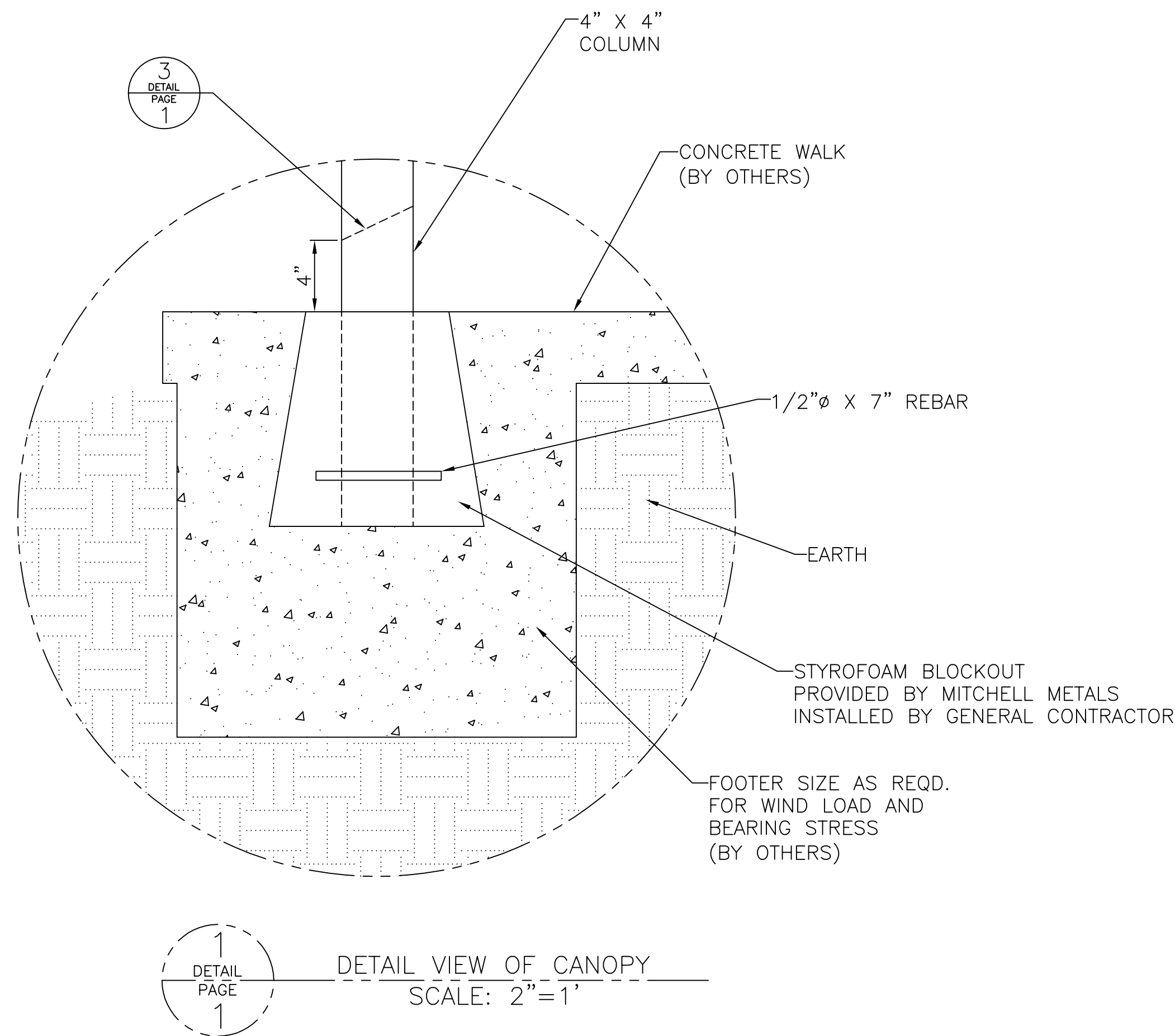


- NOTE:
- CAULK DEFLECTOR PLATE INSIDE OF POST

3 DETAIL PAGE 1

DETAIL VIEW OF CANOPY

SCALE: 2" = 1'



**WALKWAY CANOPY  
W/ NO BEAMS**

General Contractor:

Arch:

DRAWN BY: WCH

DRAWING NUMBER:

PAGE:

SCALE: AS NOTED

DATE: 08/18/08

Revisions

#