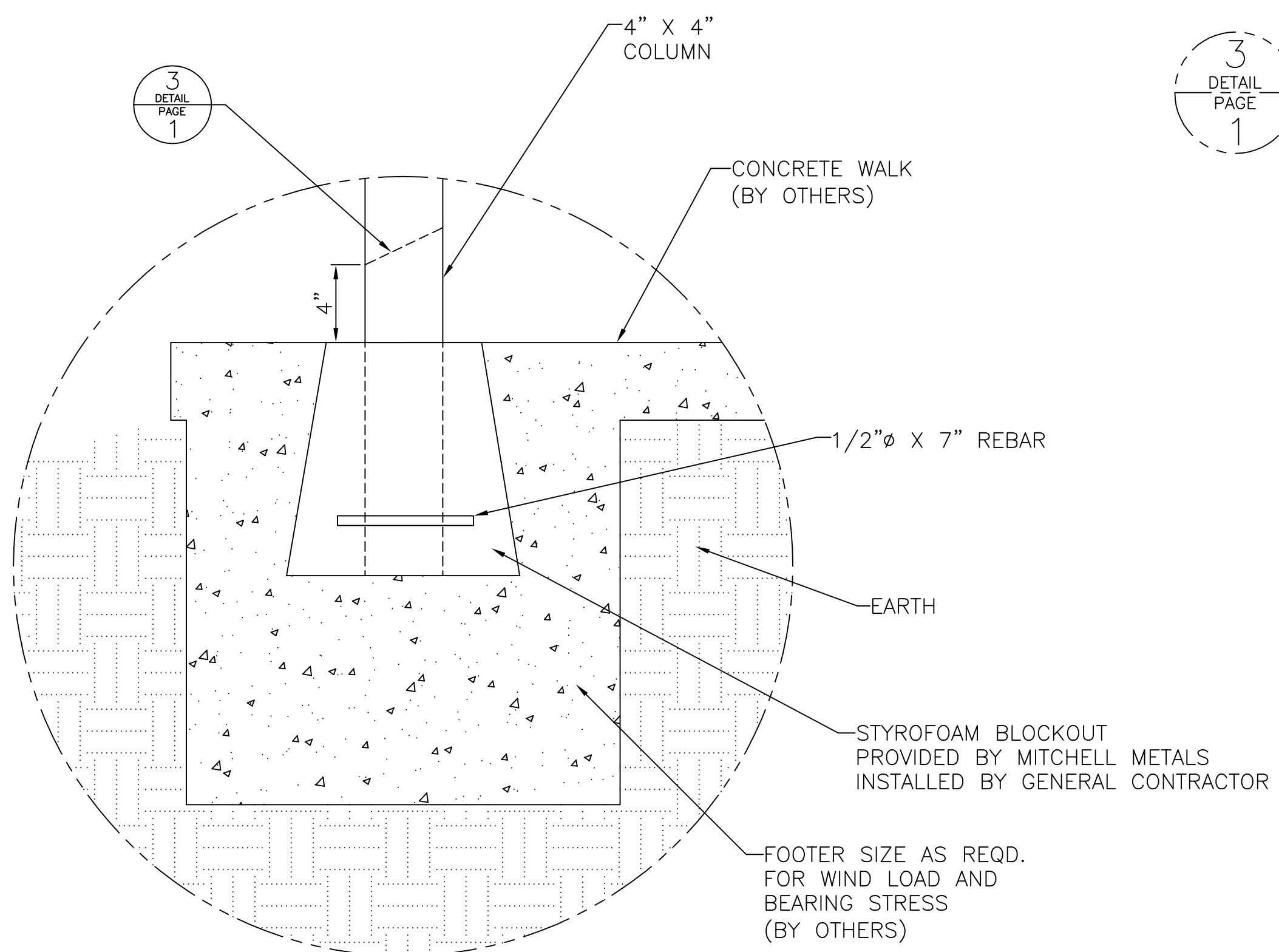
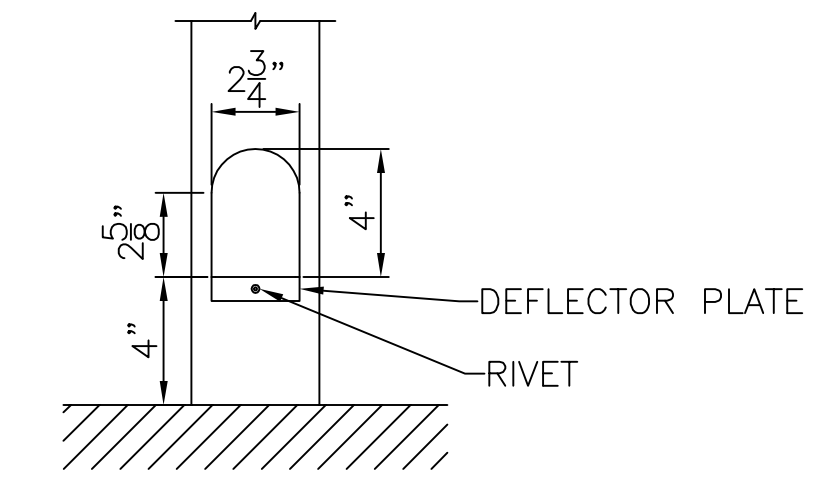


**A**  
DETAIL  
PAGE  
1  
SECTION VIEW OF CANOPY  
SCALE: 1/2" = 1'



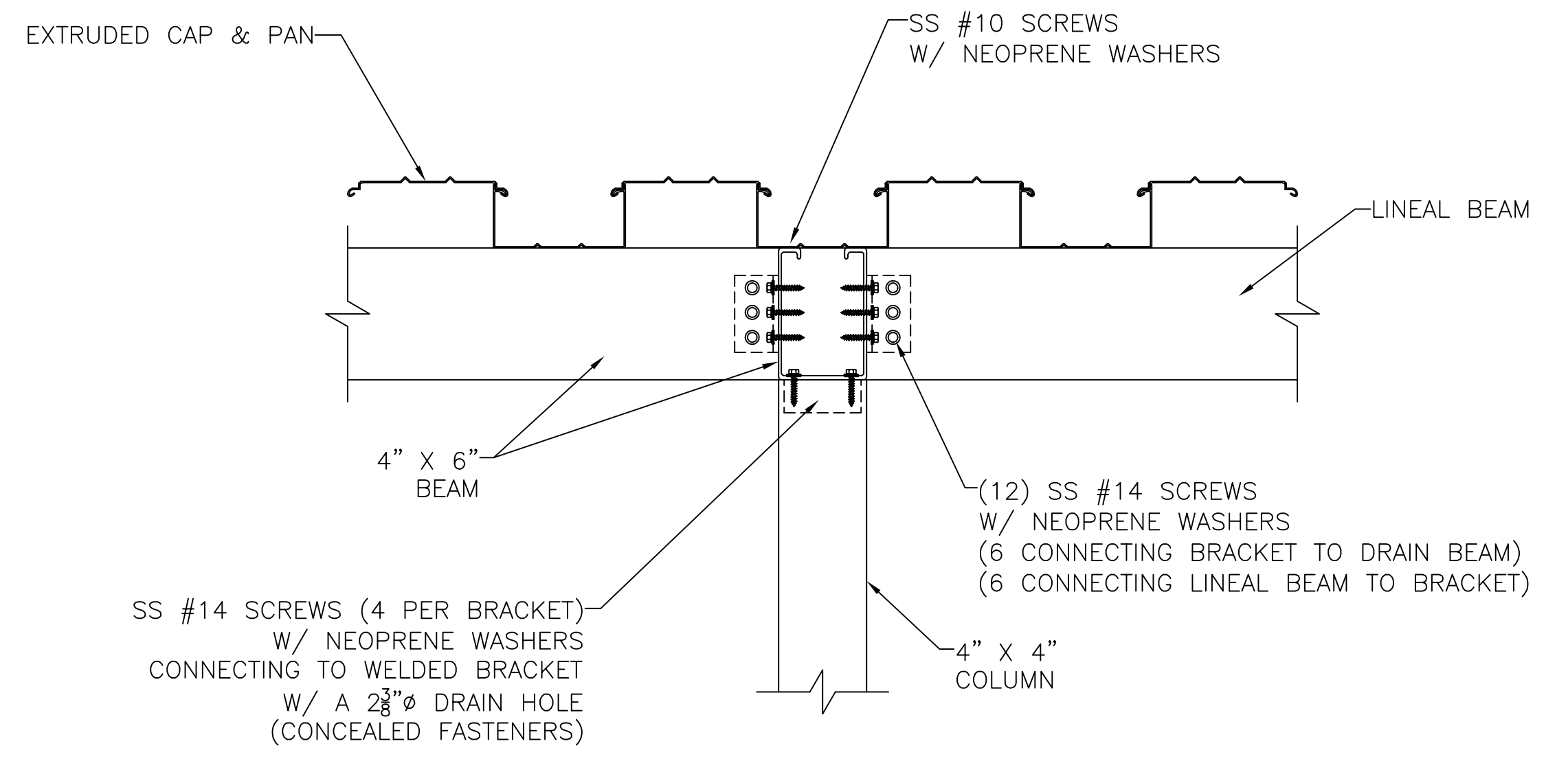
**1**  
DETAIL  
PAGE  
1  
DETAIL VIEW OF CANOPY  
SCALE: 2" = 1'

- NOTES:**
- WIDTH RECOMMENDED NOT TO EXCEED 13'-0" BETWEEN VERTICAL COLUMNS
  - HEIGHT RECOMMENDED NOT TO EXCEED 12'-0" OR WIDTH OF CANOPY, WHICH EVER IS LOWER.

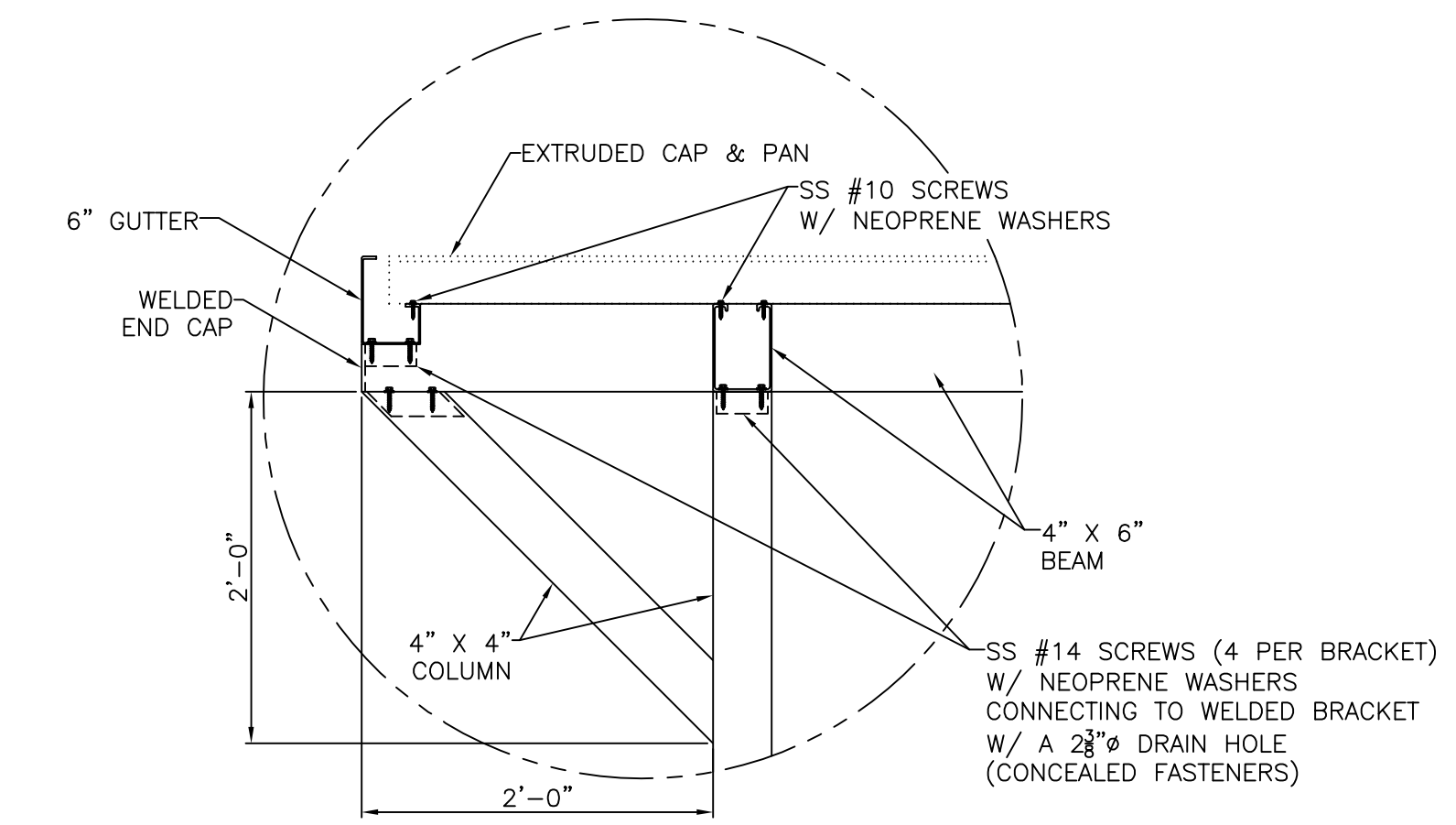


- NOTE:**
- CAULK DEFLECTOR PLATE INSIDE OF POST

**3**  
DETAIL  
PAGE  
1  
DETAIL VIEW OF CANOPY  
SCALE: 2" = 1'



**B**  
DETAIL  
PAGE  
1  
SECTION VIEW OF CANOPY  
SCALE: 2" = 1'



**2**  
DETAIL  
PAGE  
1  
DETAIL VIEW OF CANOPY  
SCALE: 1" = 1'