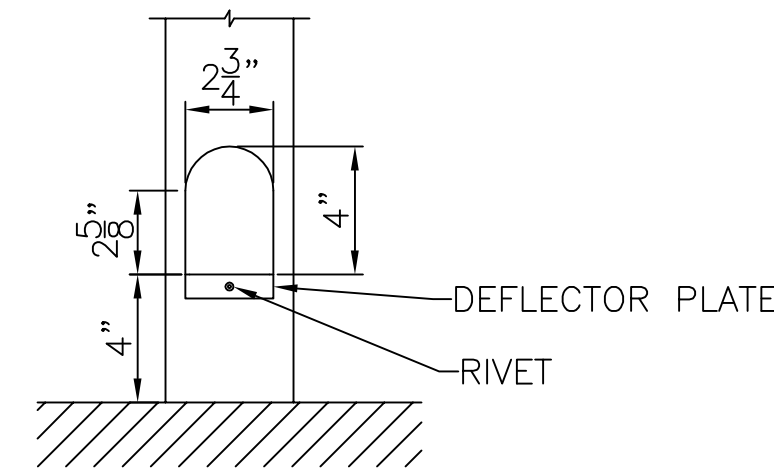


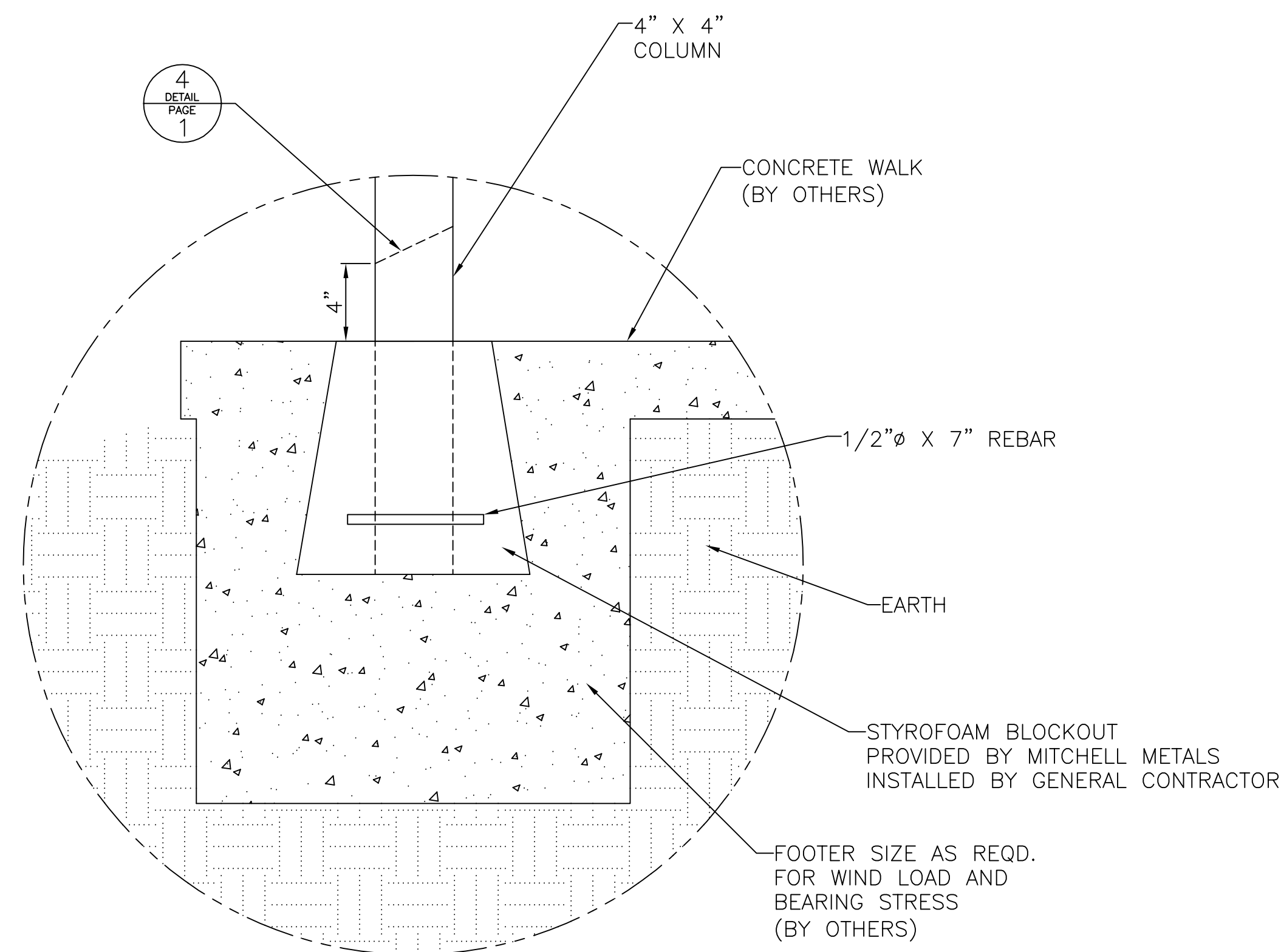
A
DETAIL PAGE 1
SECTION VIEW OF CANOPY
SCALE: 1/2" = 1'

- NOTES:
- WIDTH RECOMMENDED NOT TO EXCEED 13'-0".
 - HEIGHT RECOMMENDED NOT TO EXCEED 12'-0" OR WIDTH OF CANOPY, WHICH EVER IS LOWER.

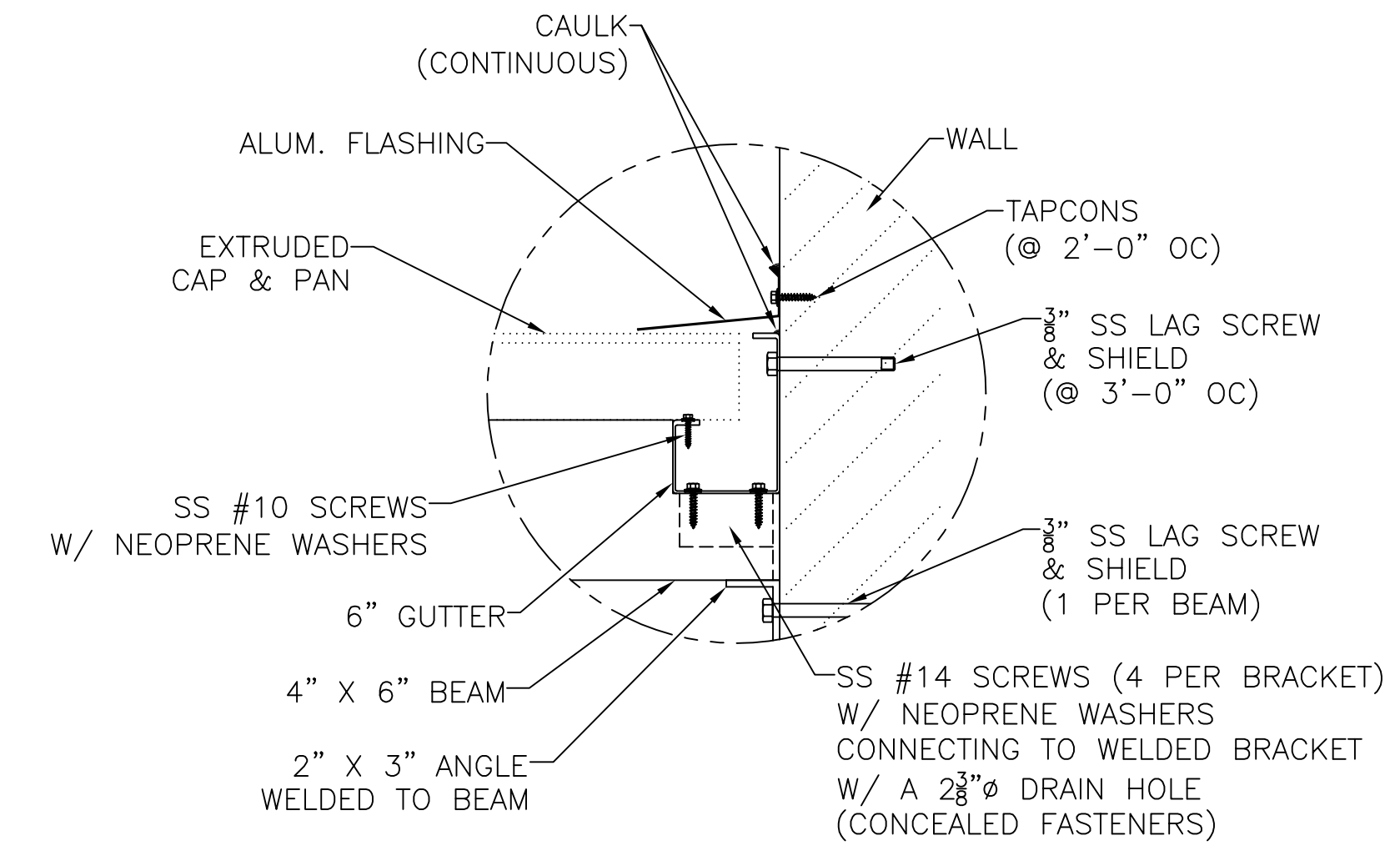


- NOTE:
- CAULK DEFLECTOR PLATE INSIDE OF POST

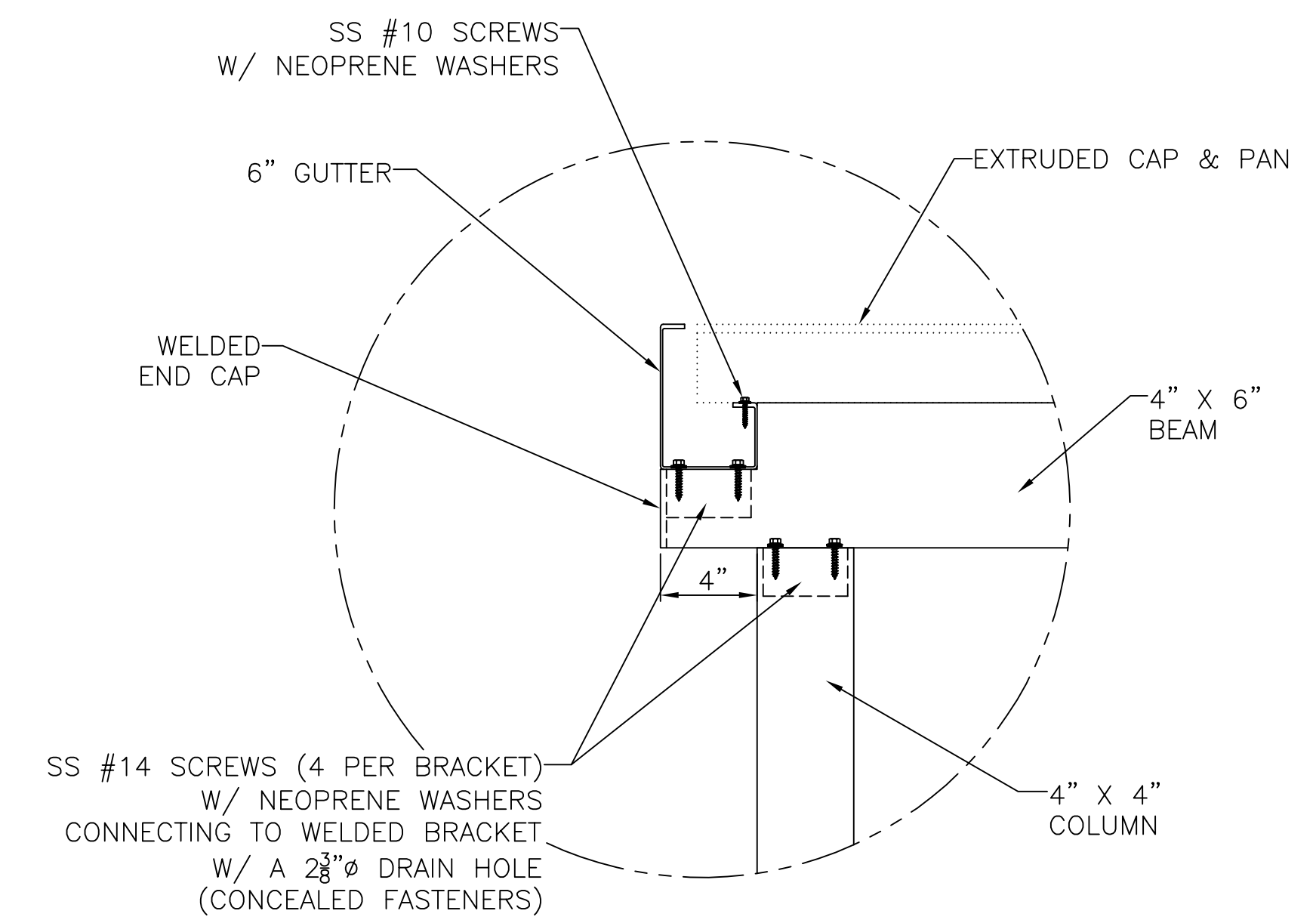
4
DETAIL PAGE 1
DETAIL VIEW OF CANOPY
SCALE: 2" = 1'



1
DETAIL PAGE 1
DETAIL VIEW OF CANOPY
SCALE: 2" = 1'



3
DETAIL PAGE 1
DETAIL VIEW OF CANOPY
SCALE: 2" = 1'



2
DETAIL PAGE 1
DETAIL VIEW OF CANOPY
SCALE: 2" = 1'

WALL ATTACHED
CANOPY WITH BEAM

General Contractor:
Arch:

DRAWN BY: WCH
DRAWING NUMBER:
PAGE:

SCALE: AS NOTED
DATE: 09/15/09

Revisions
#