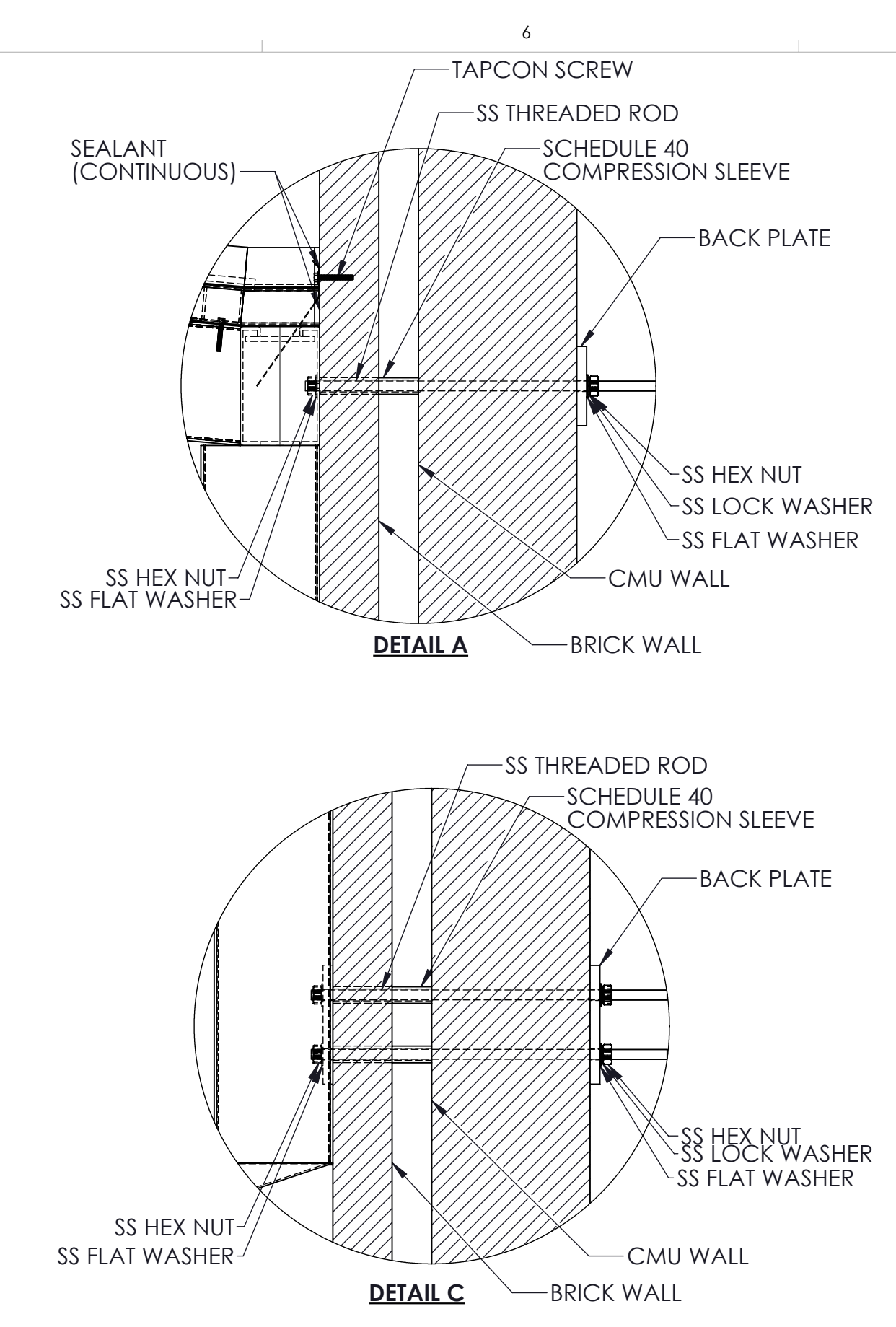
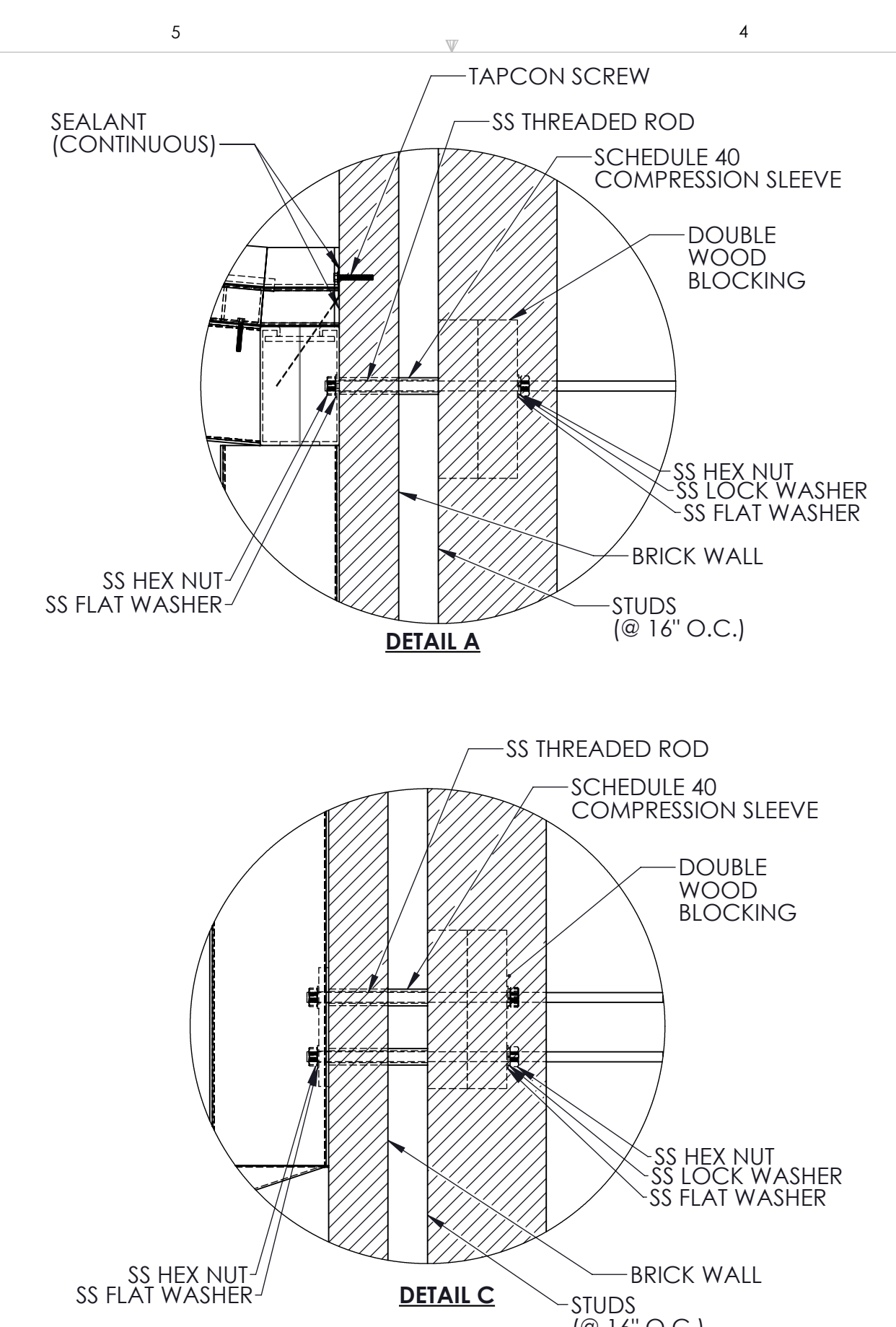


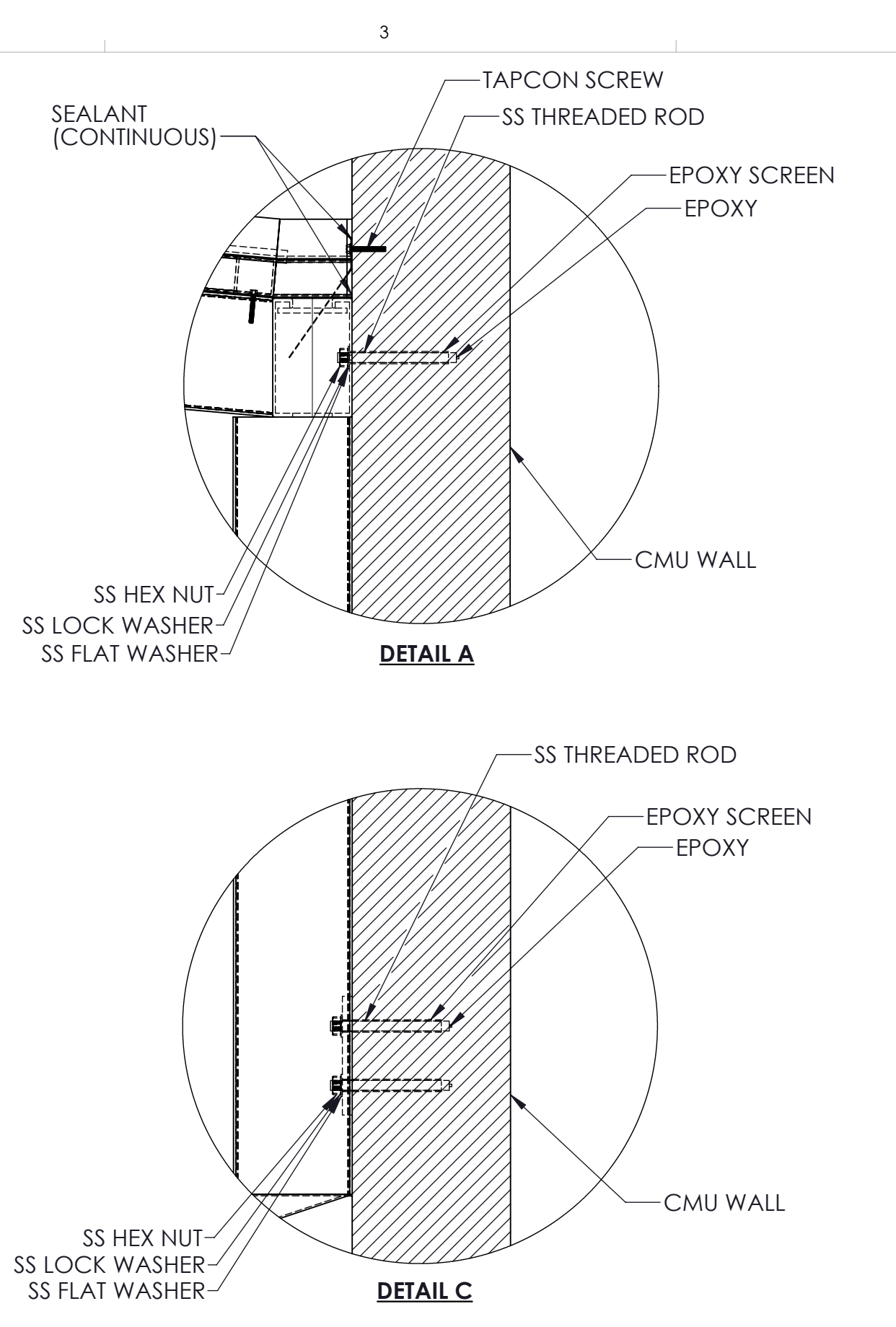
**Brick and CMU Wall
(Epoxy Anchors)**



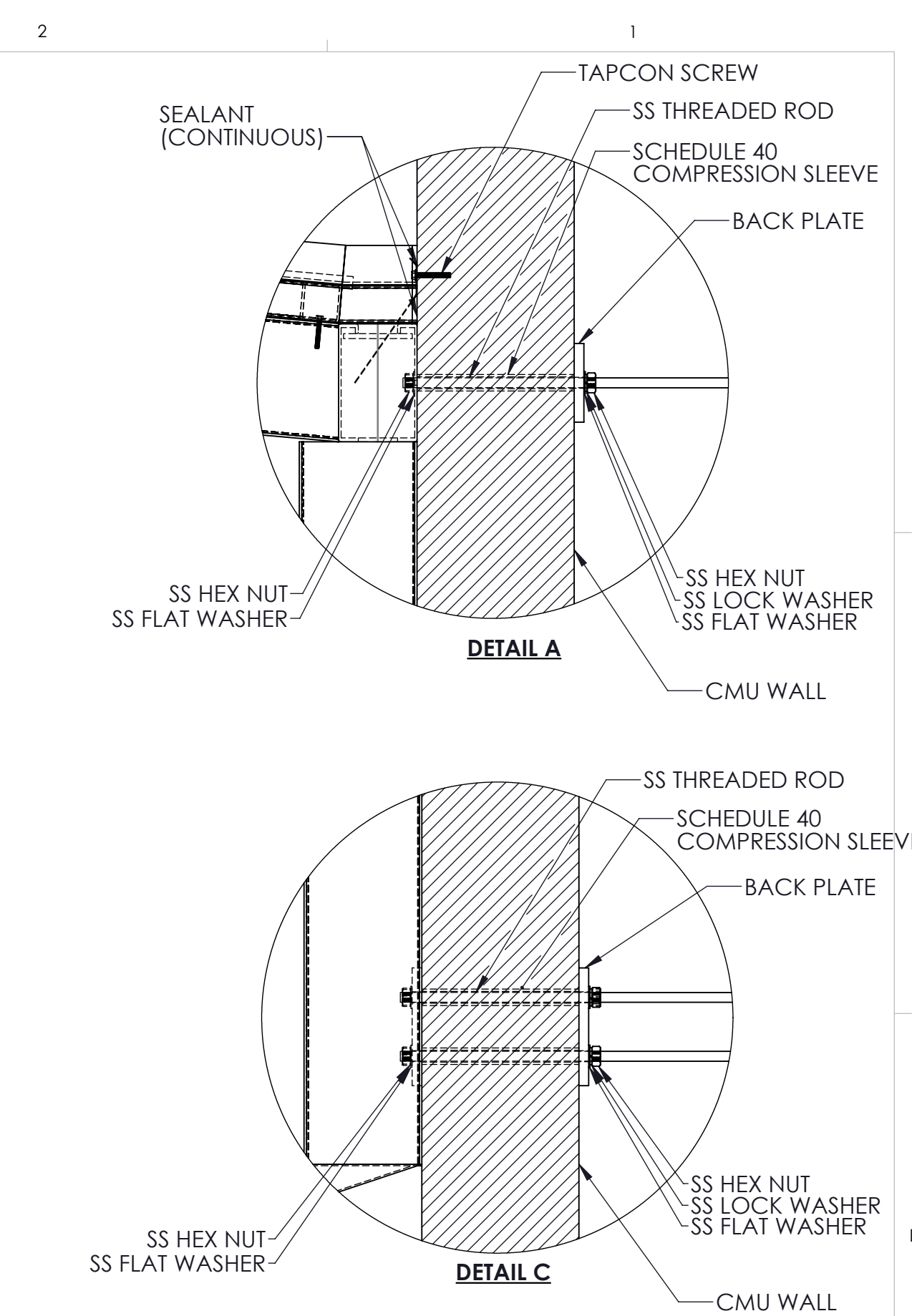
**Brick and CMU Wall
(Through Bolts)**



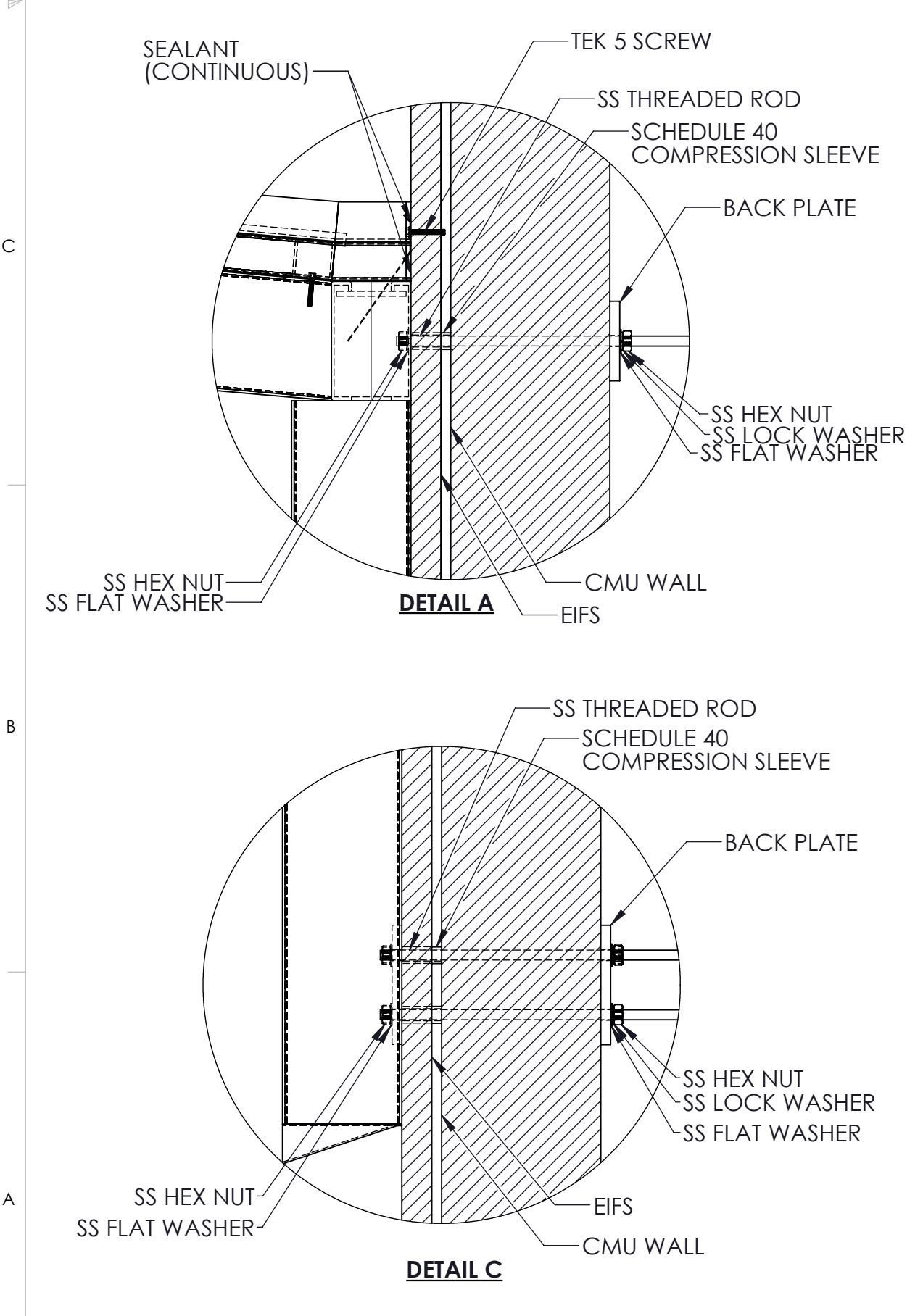
**Brick and Studs
(Through Bolts)**



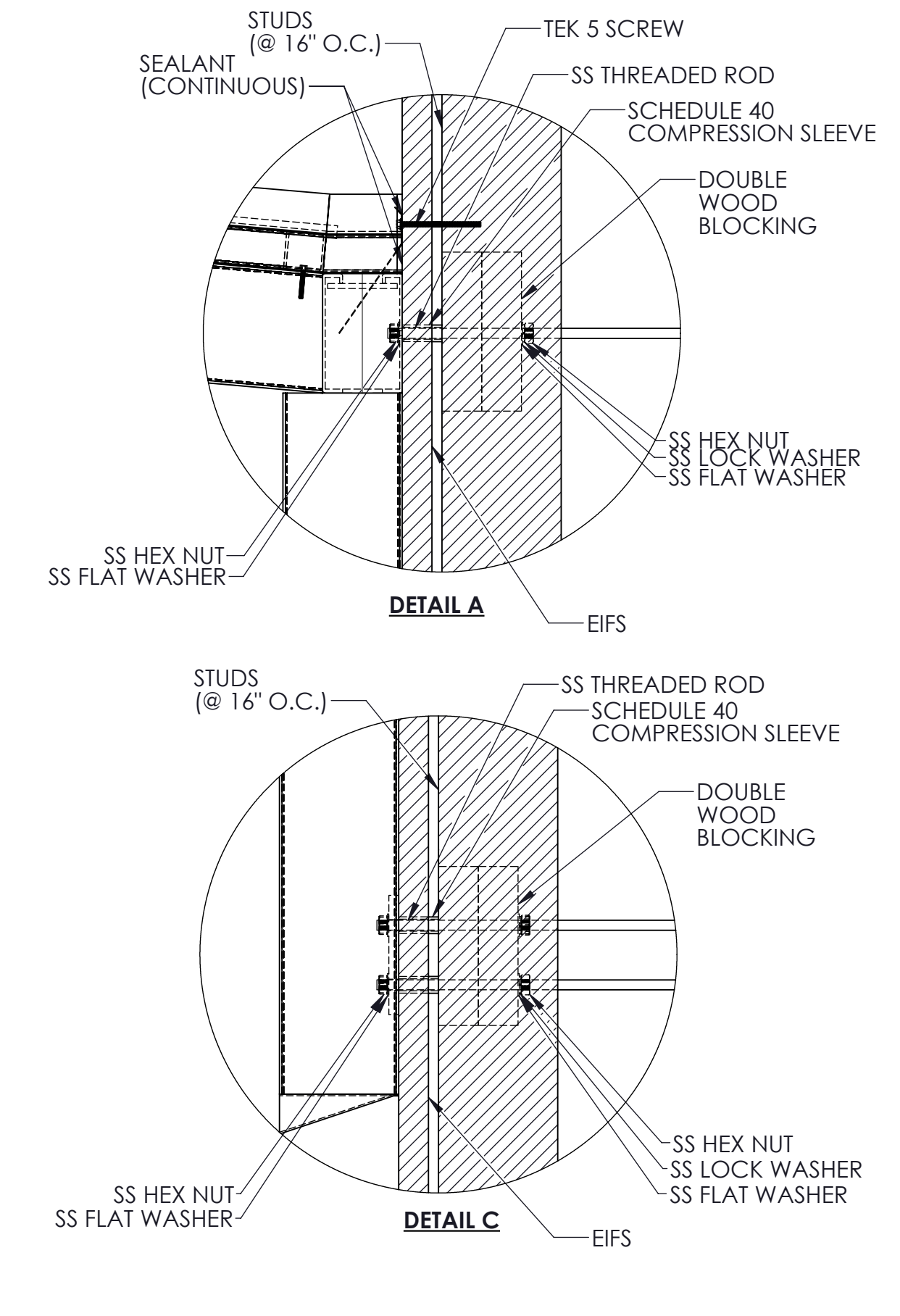
**CMU Wall
(Epoxy Anchors)**



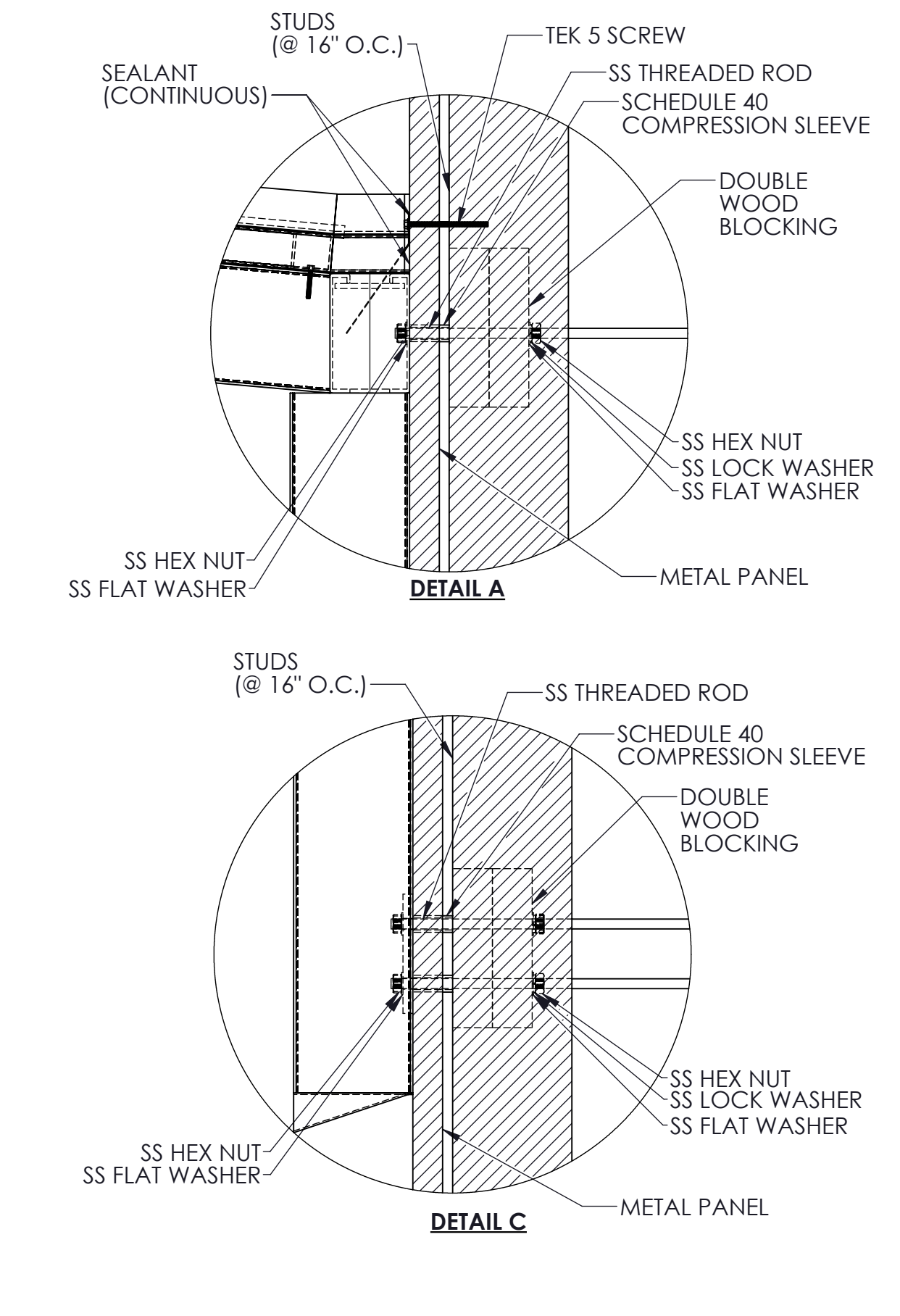
**CMU Wall
(Through Bolts)**



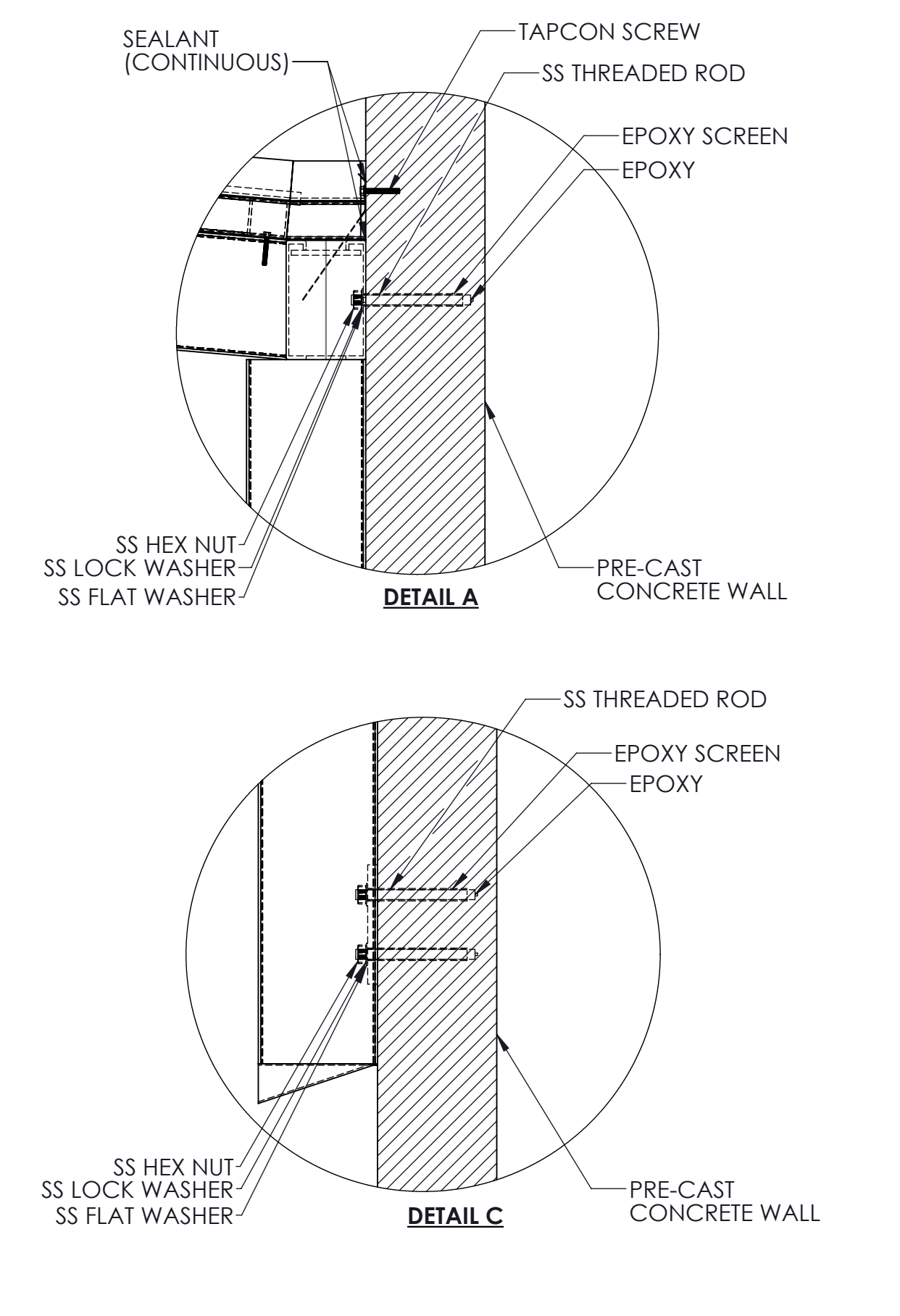
**EIFS and CMU Wall
(Through Bolts)**



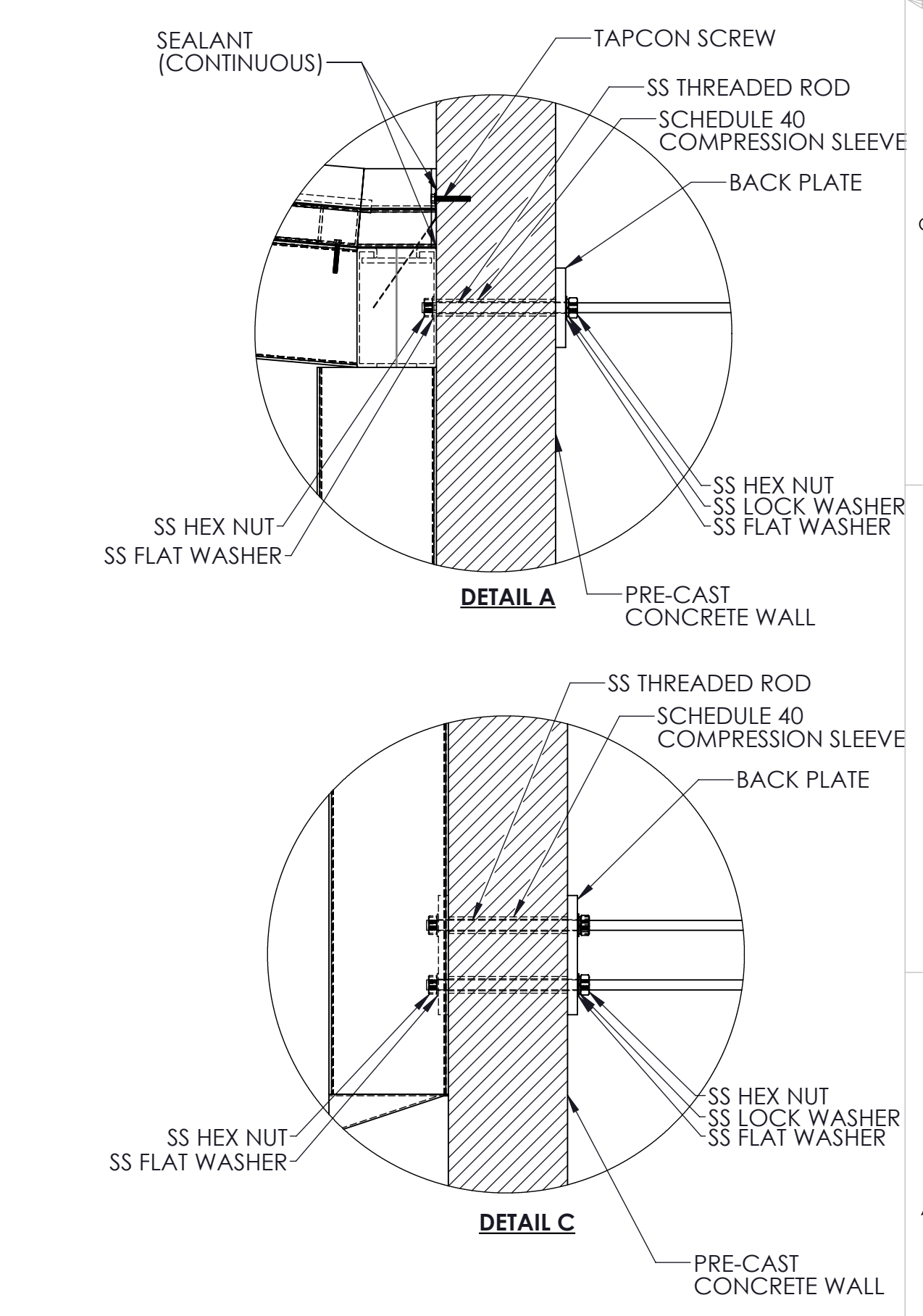
**EIFS and Studs
(Through Bolts)**



**Metal Paneling and Studs
(Through Bolts)**



**Pre-Cast Concrete Wall
(Epoxy Anchors)**



**Pre-Cast Concrete Wall
(Through Bolts)**