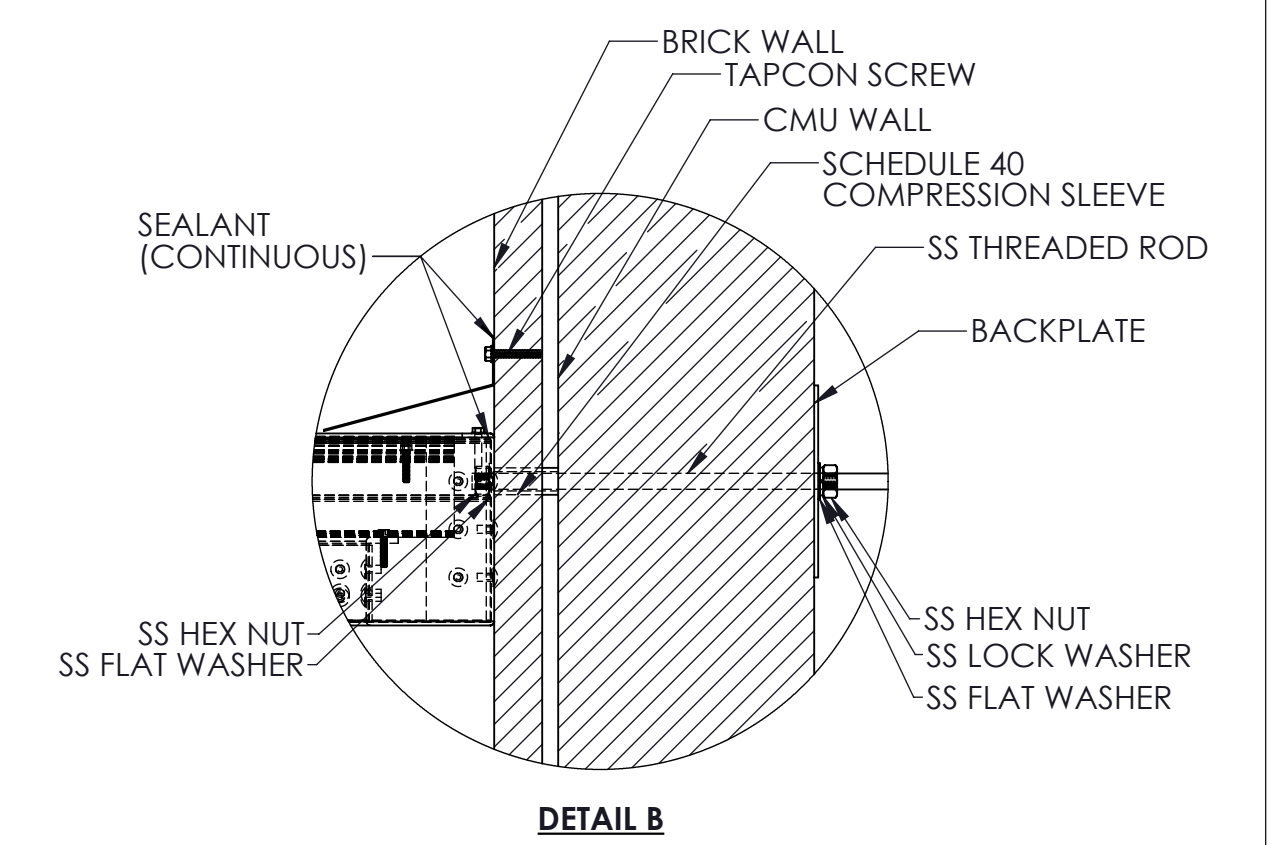
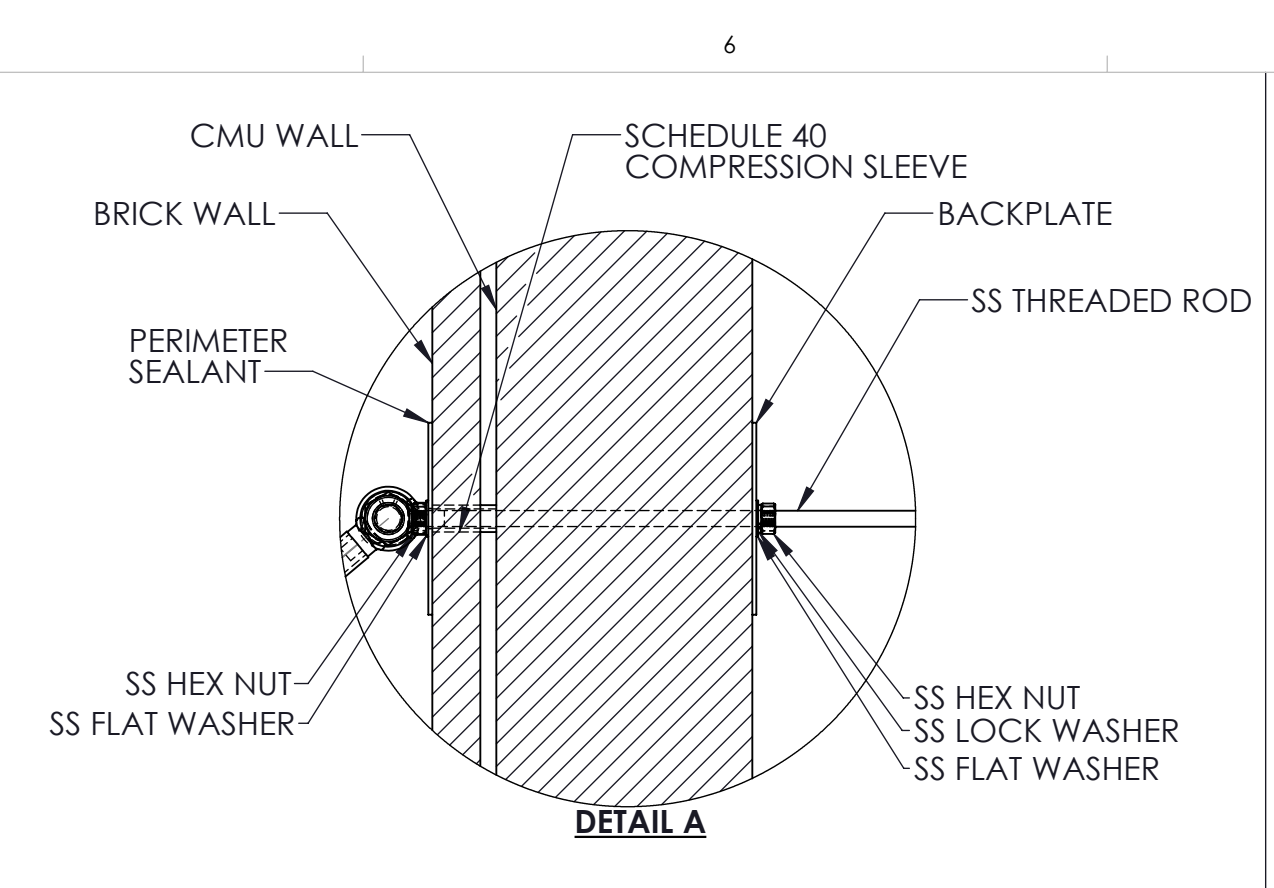
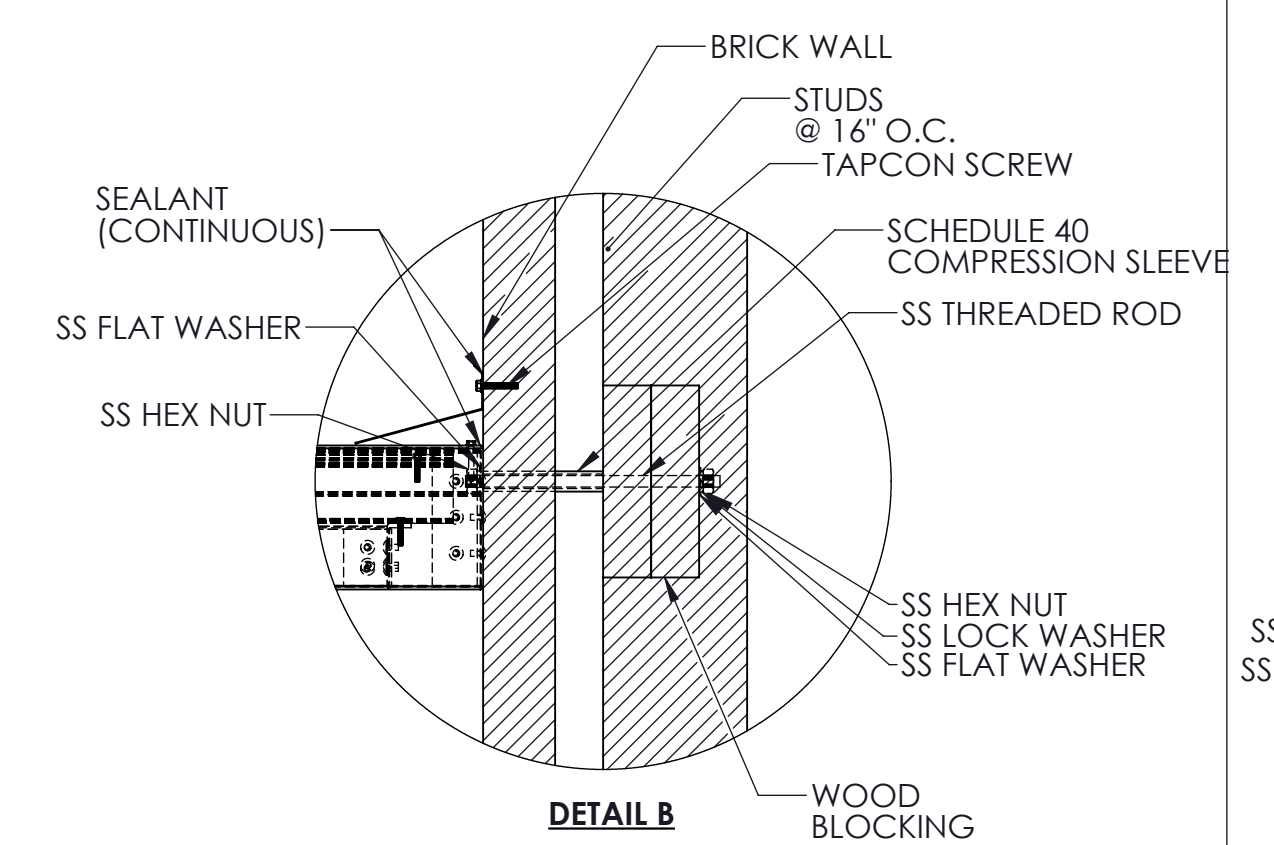
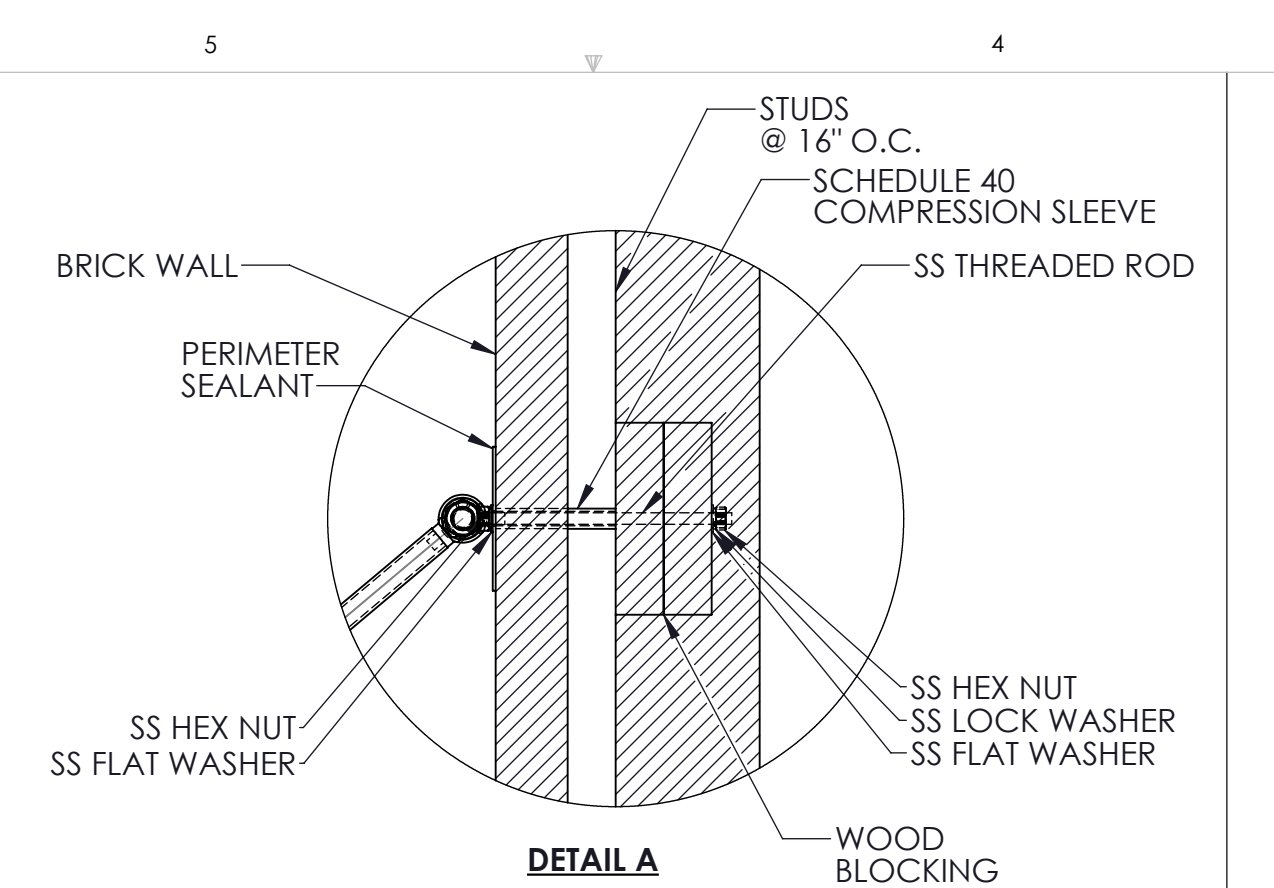


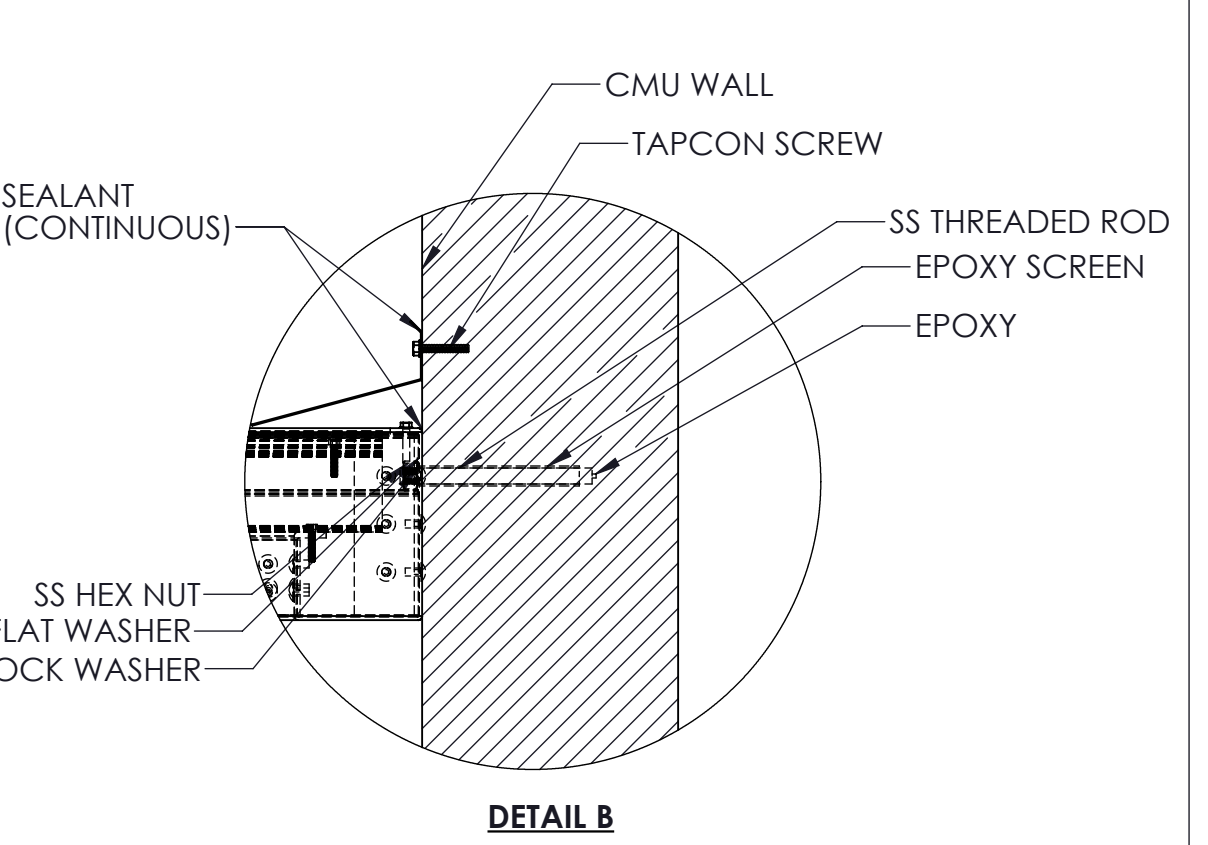
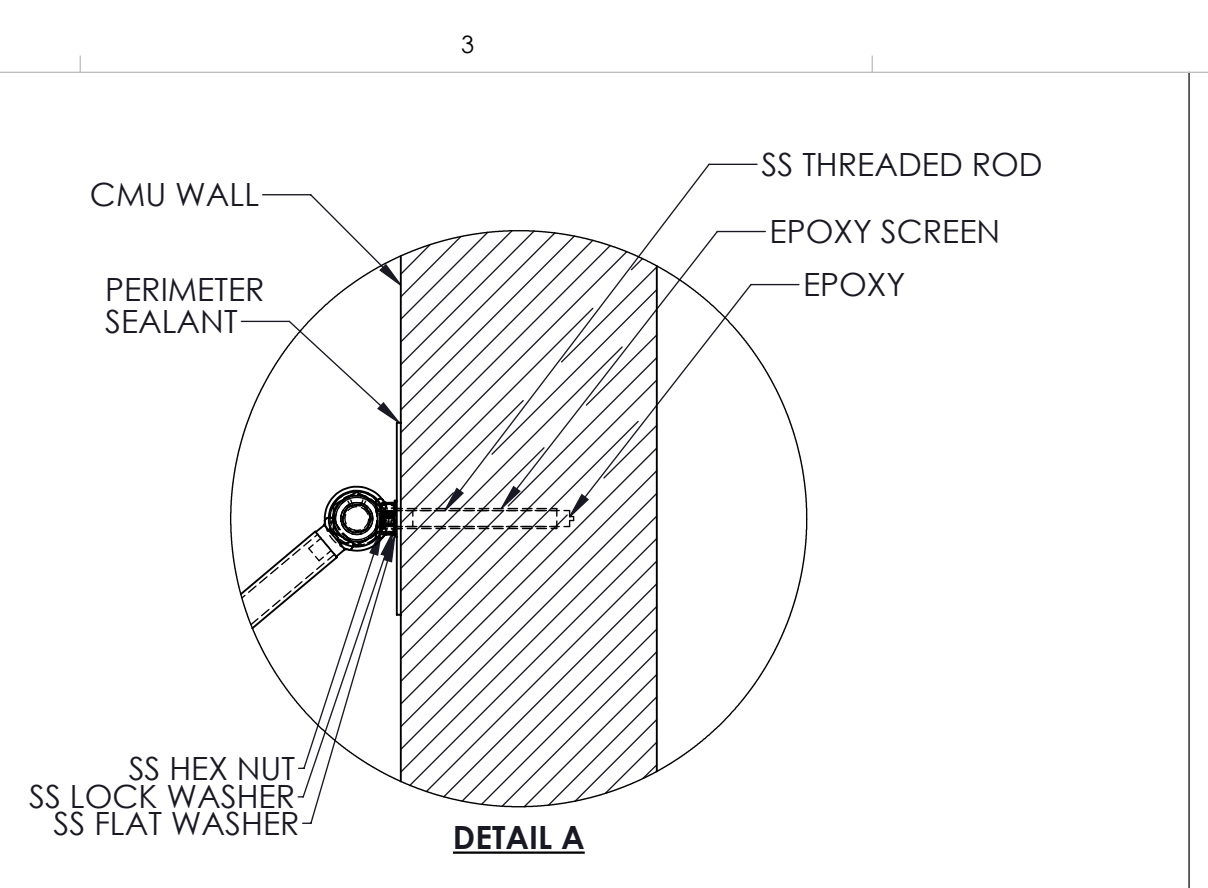
**Brick and CMU Wall
(Epoxy Anchors)**



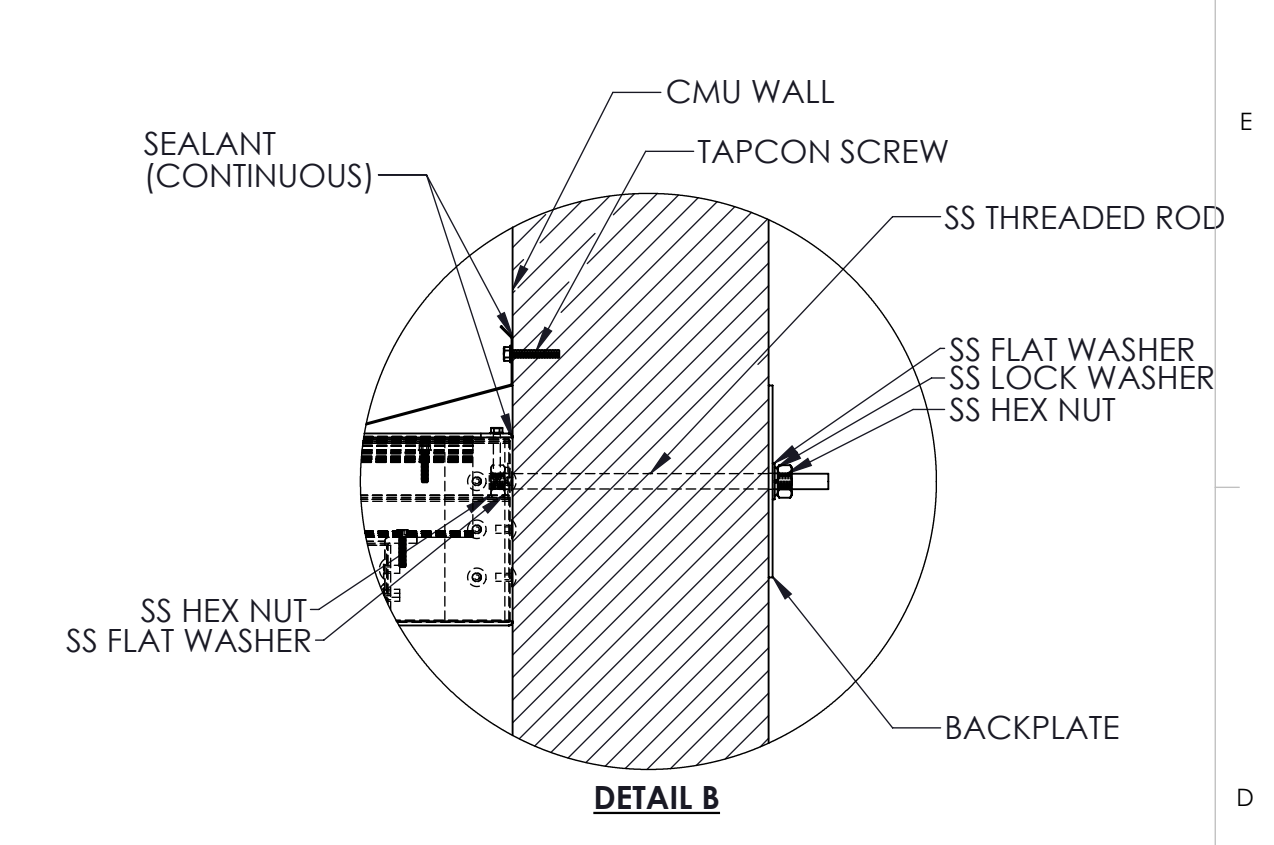
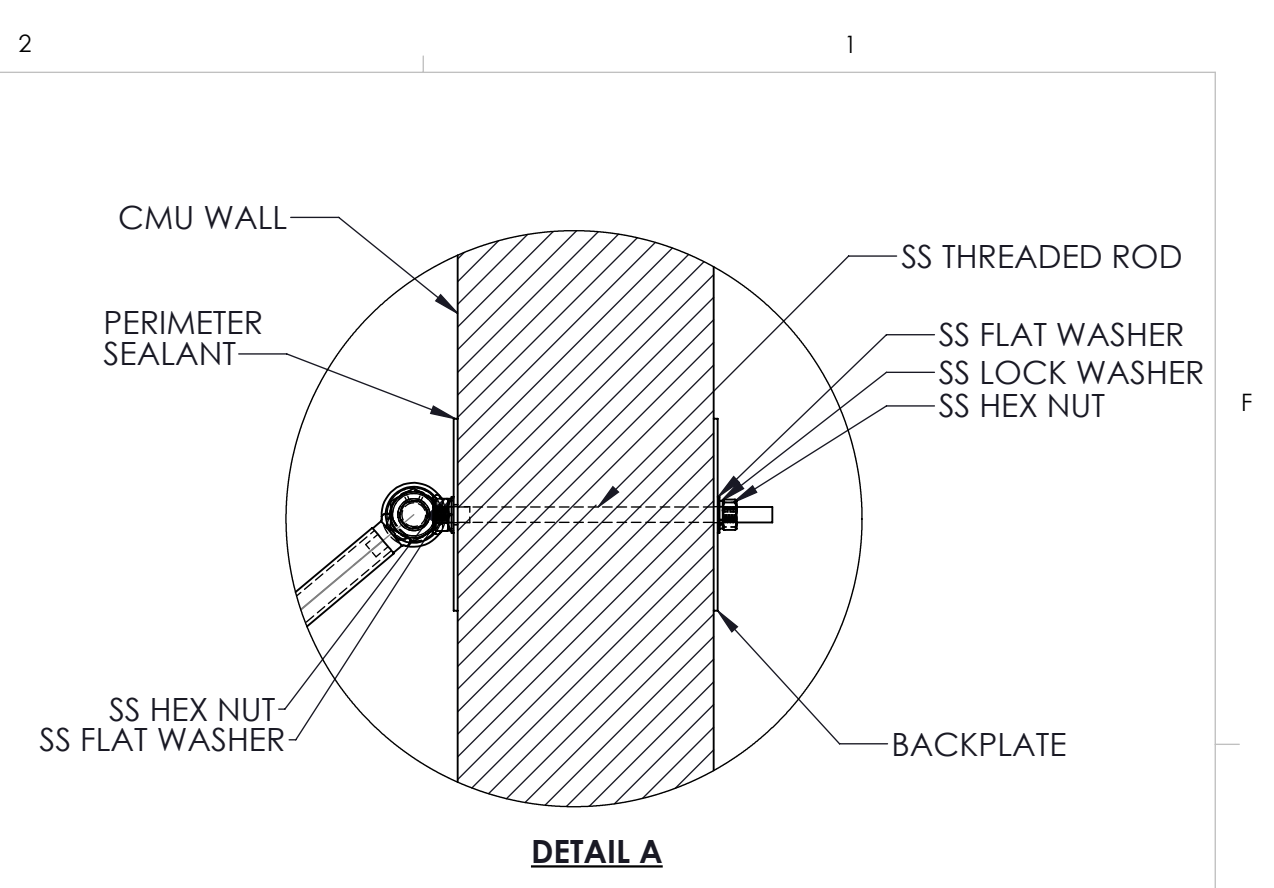
**Brick and CMU Wall
(Through Bolts)**



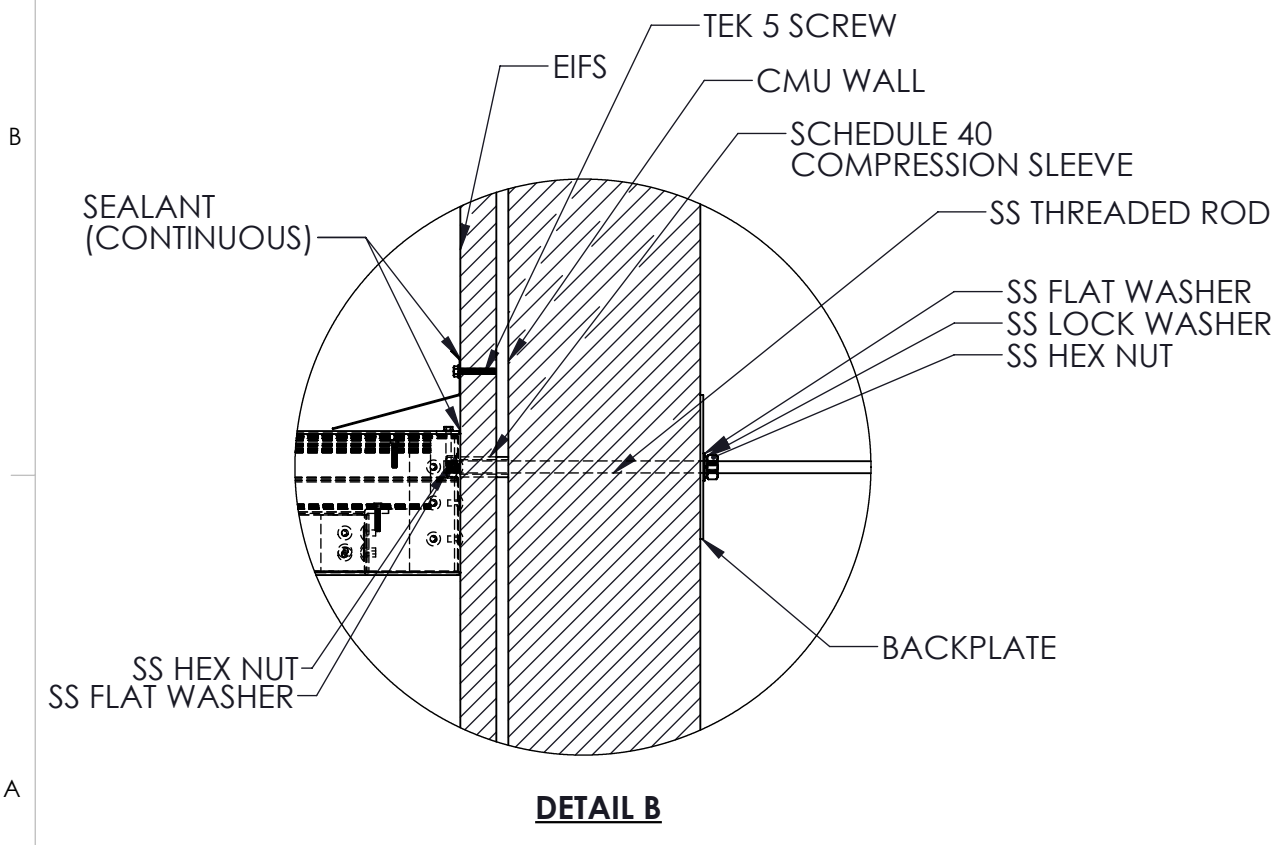
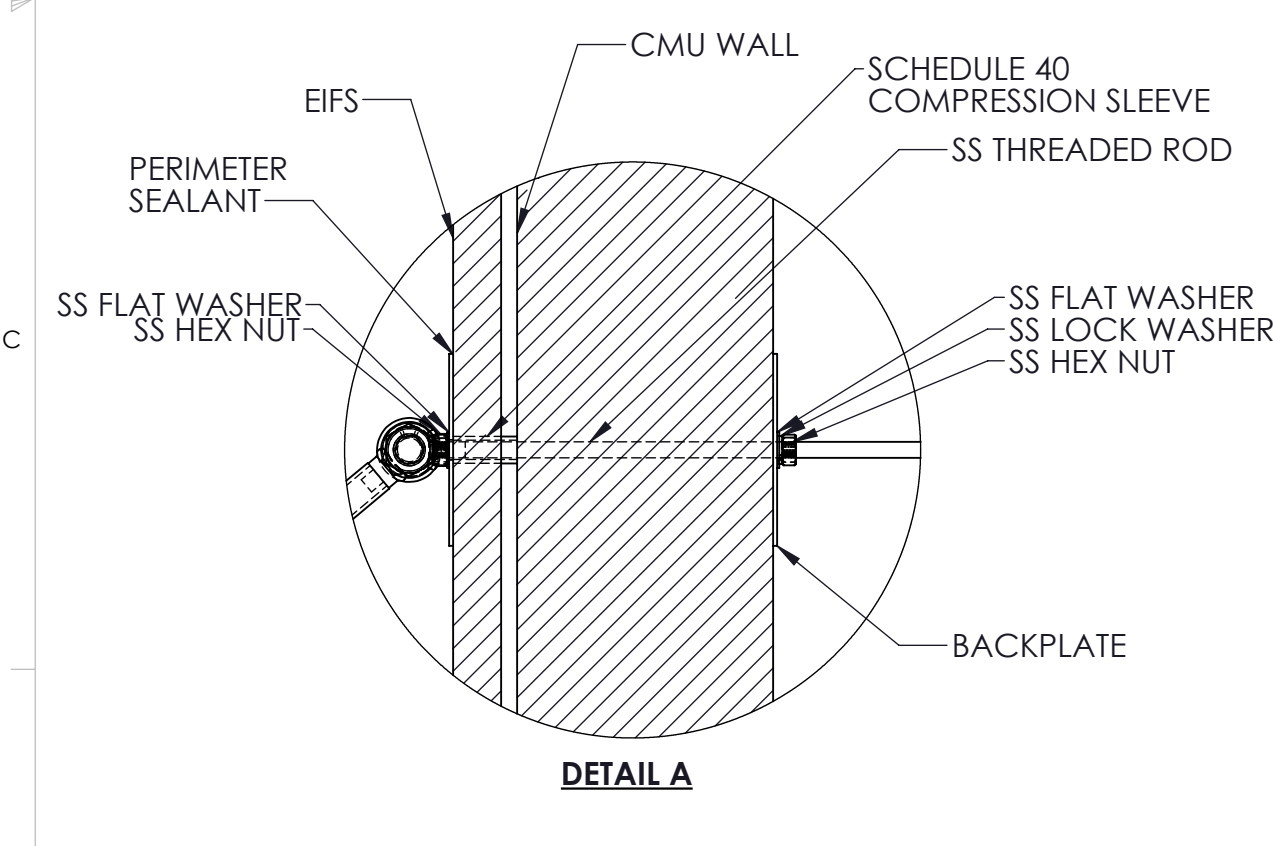
**Brick Wall with Studs
(Through Bolts)**



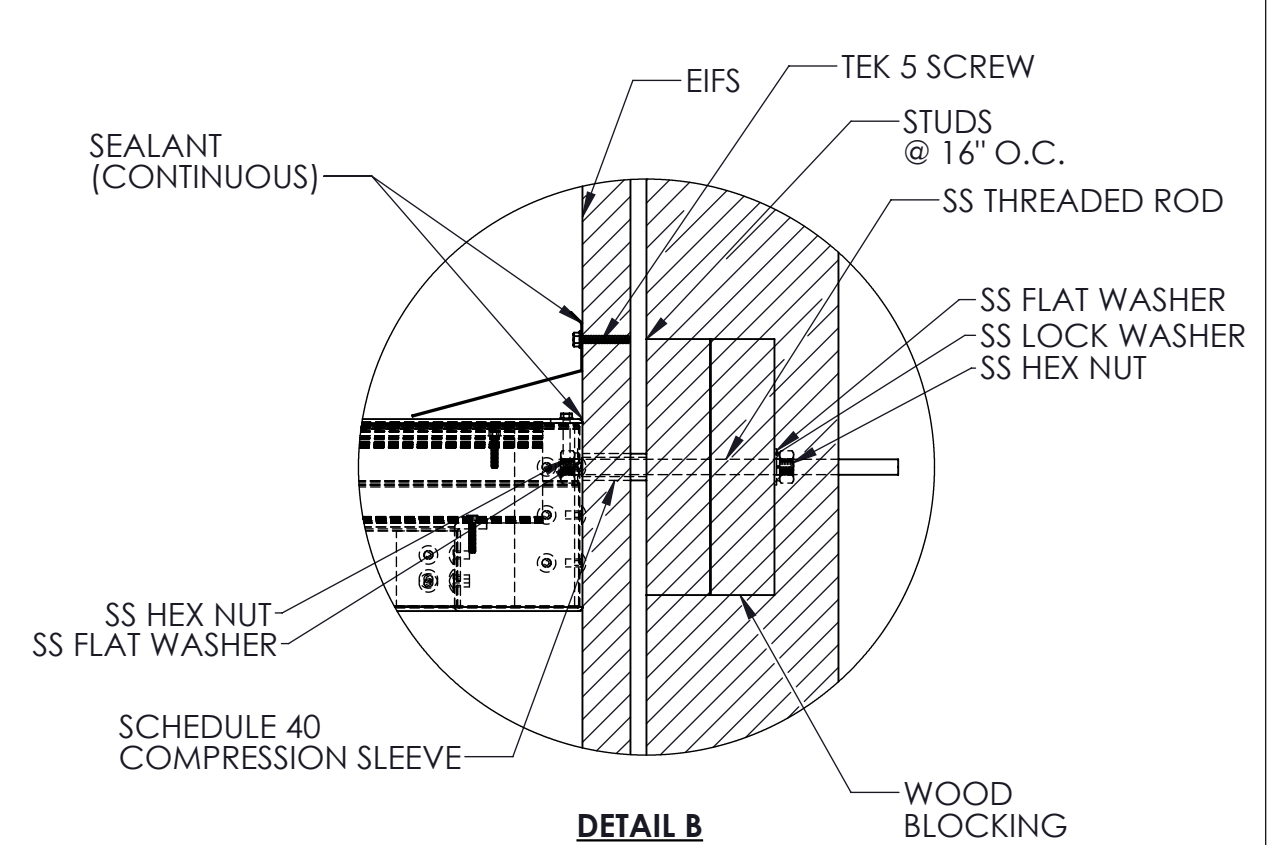
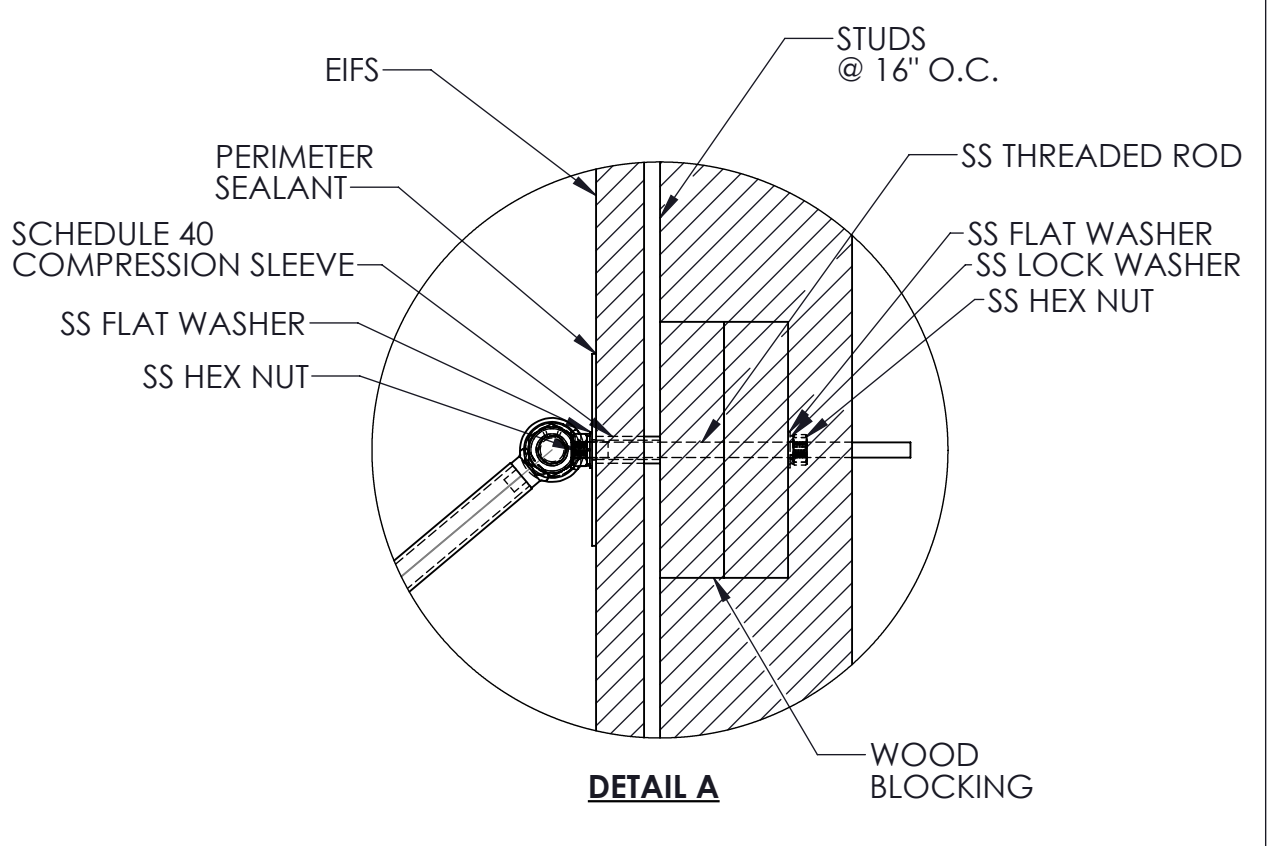
**CMU Wall
(Epoxy Anchors)**



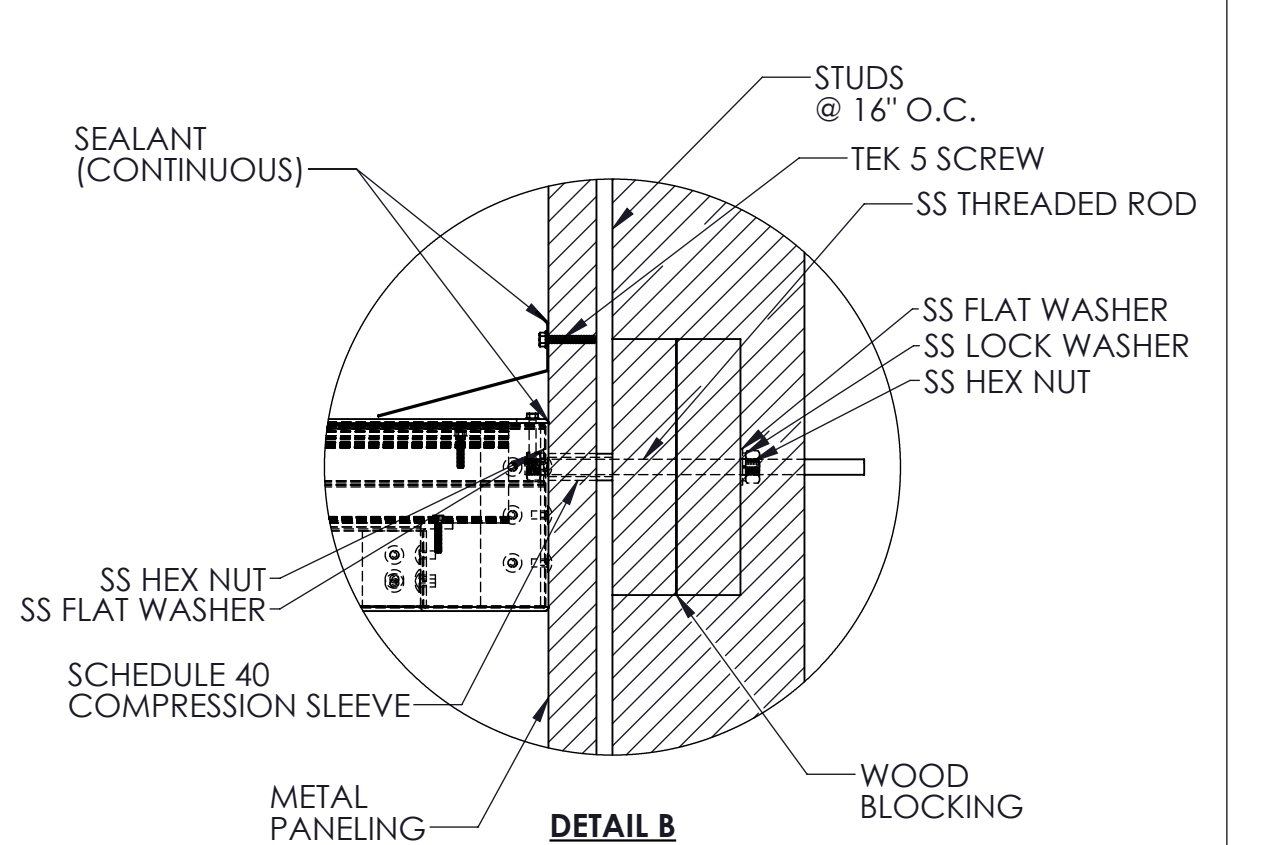
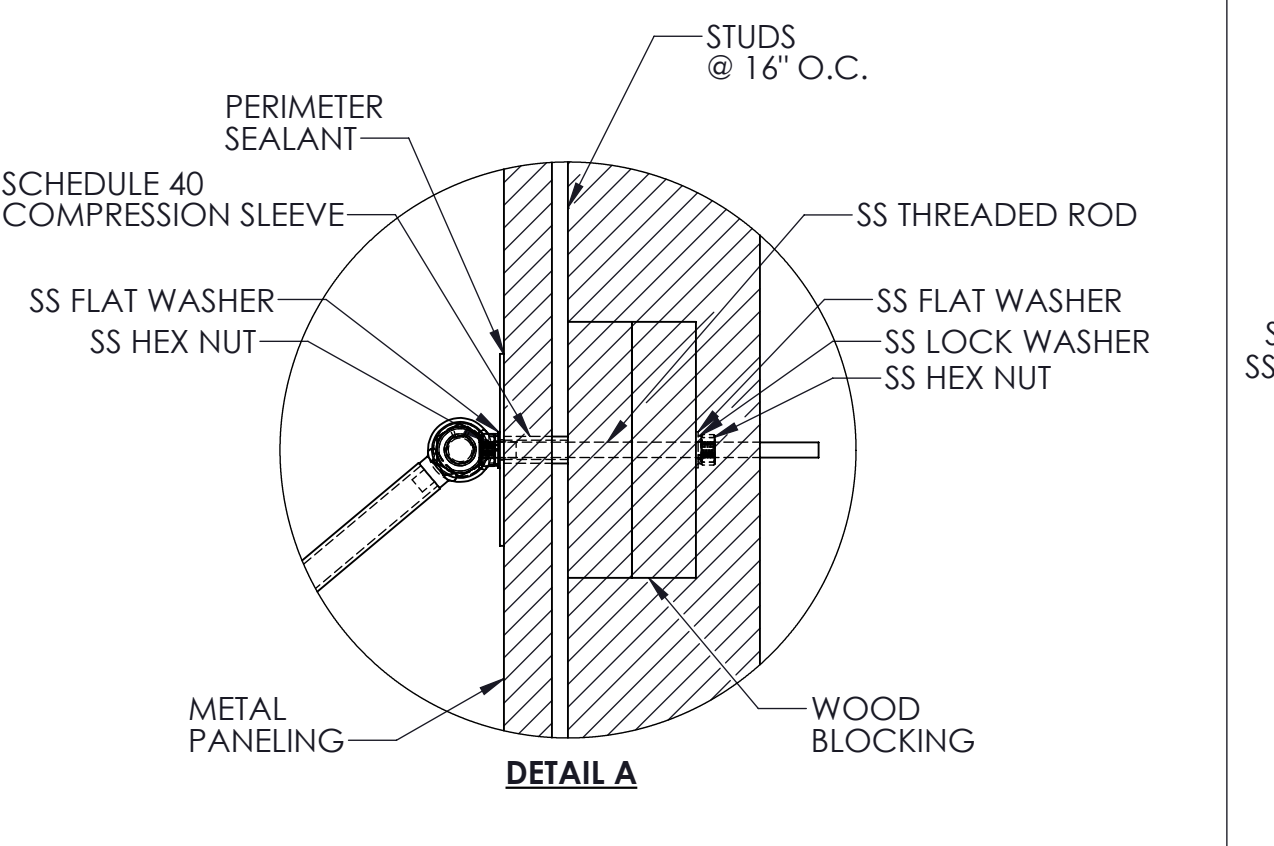
**CMU Wall
(Through Bolts)**



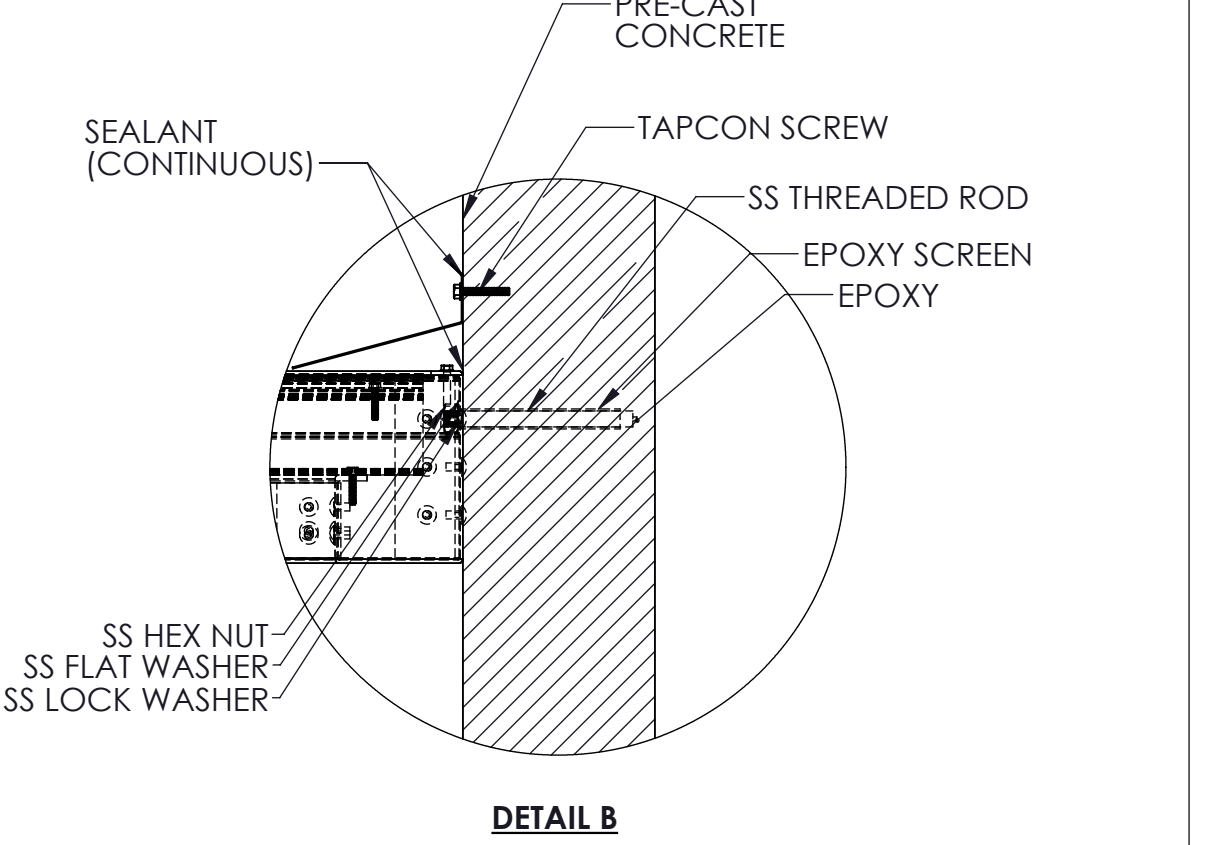
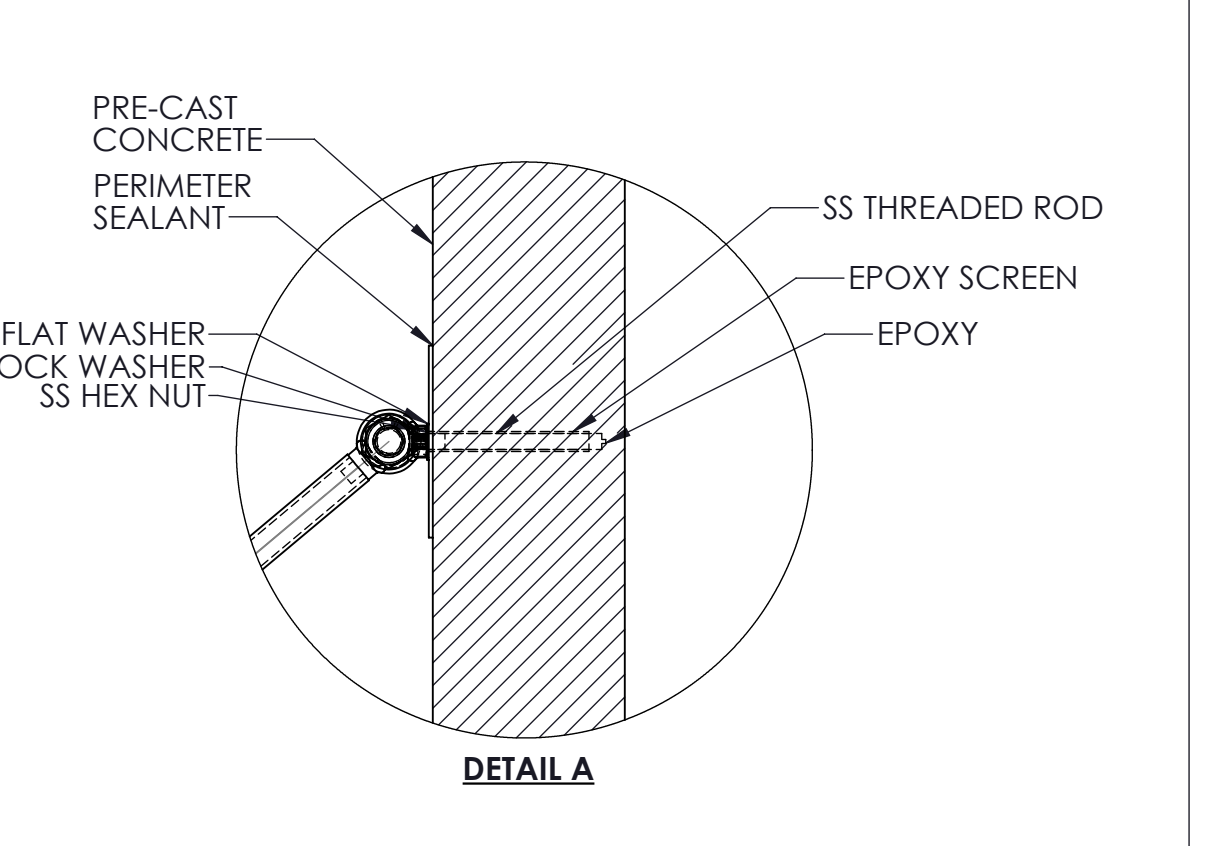
**EIFS and CMU Wall
(Through Bolts)**



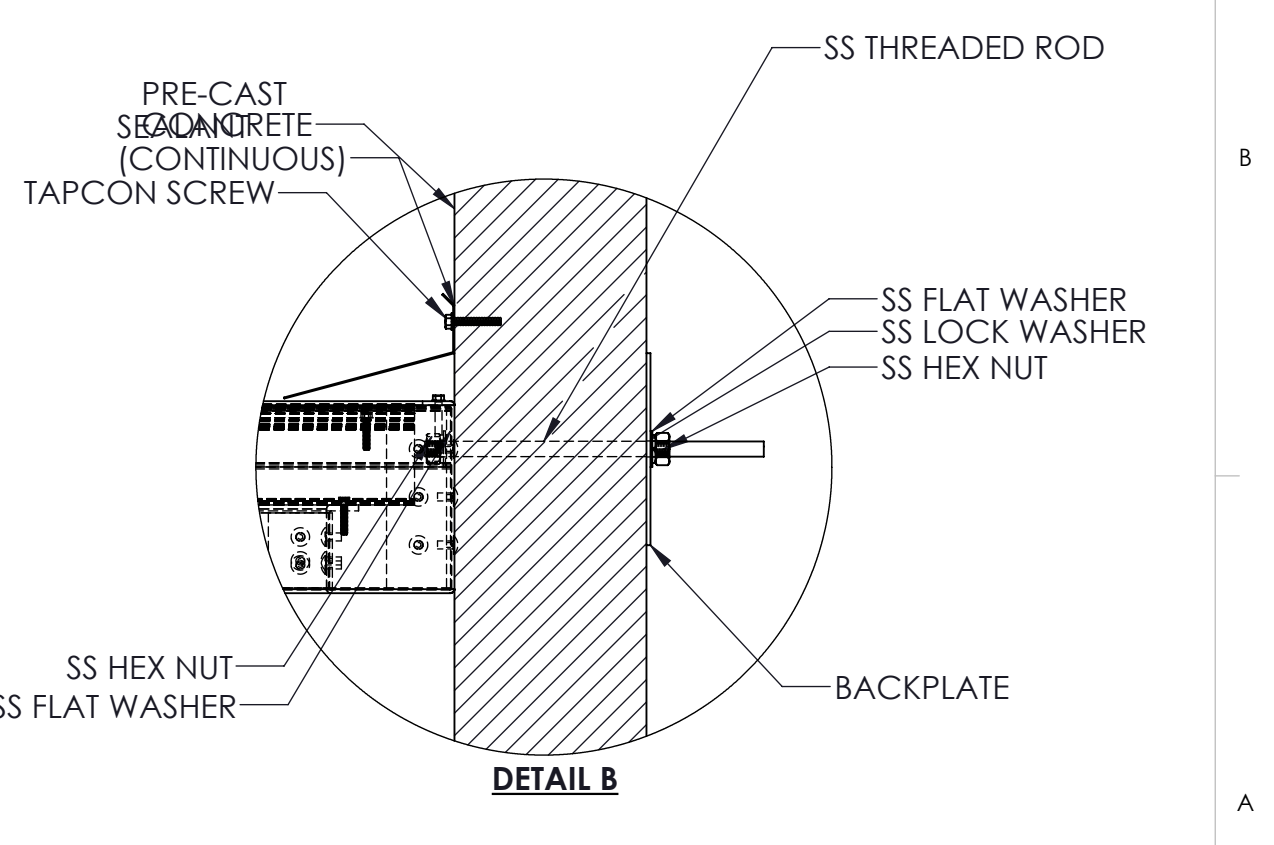
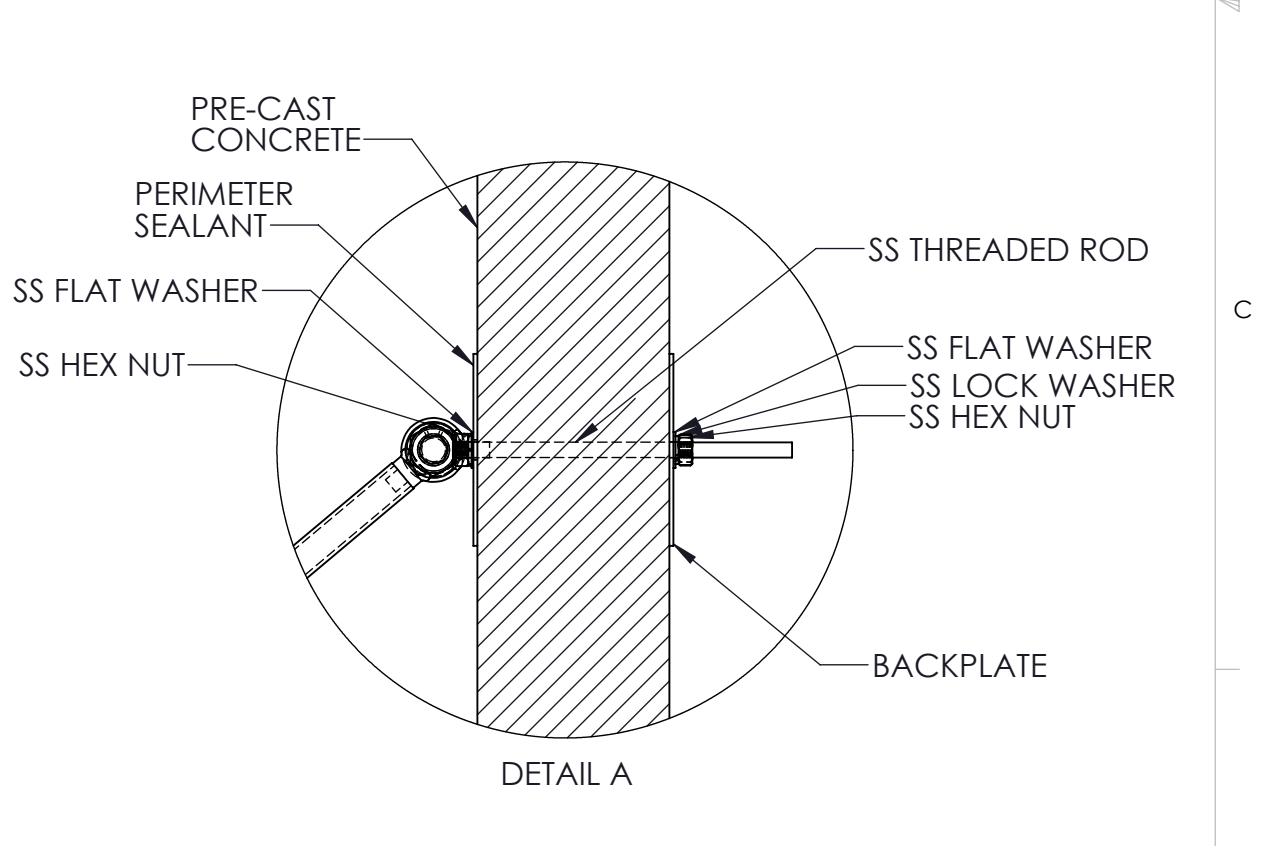
**EIFS and Studs
(Through Bolts)**



**Metal Paneling and Studs
(Through Bolts)**



**Pre-Cast Concrete Wall
(Epoxy Anchors)**



**Pre-Cast Concrete Wall
(Through Bolts)**