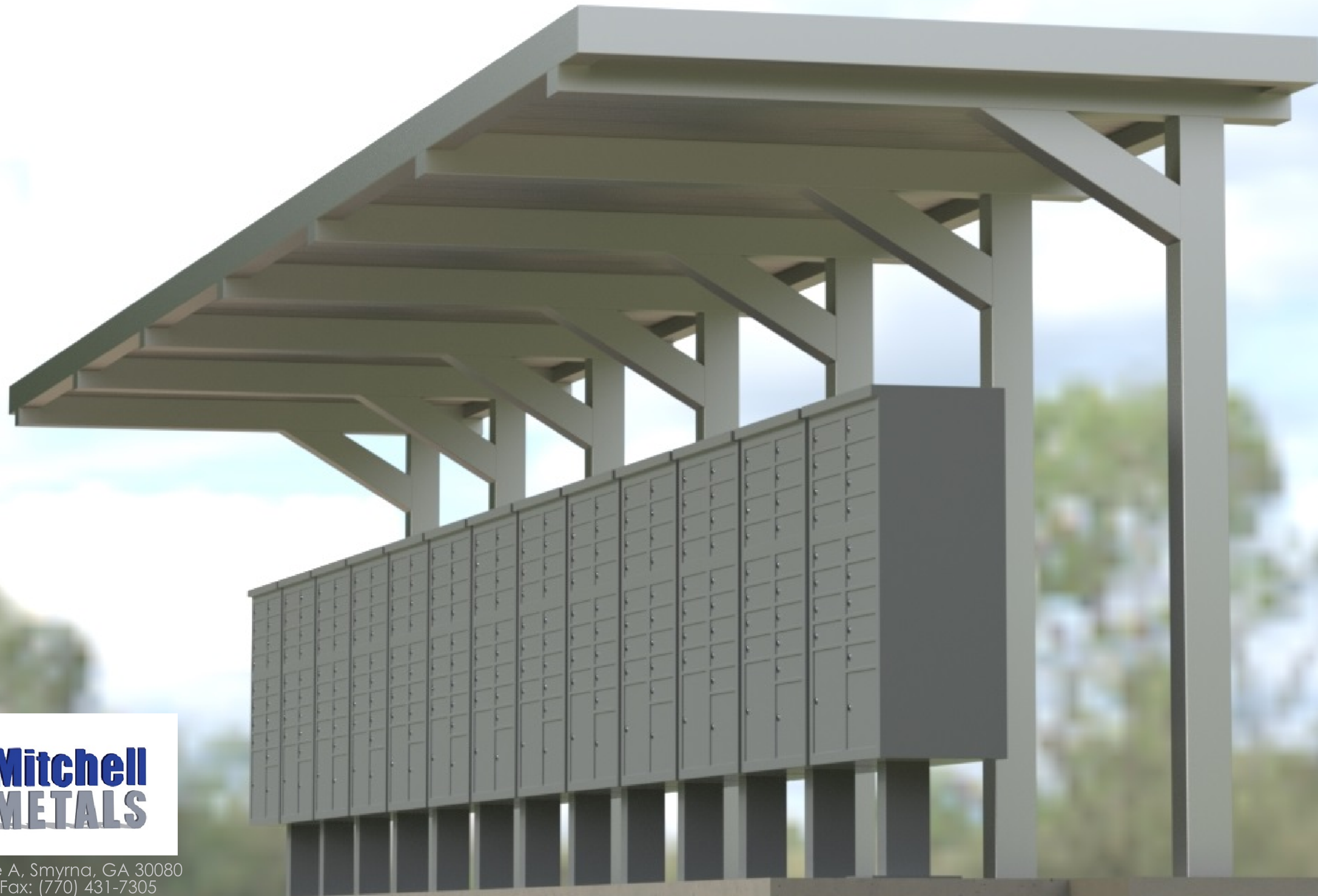
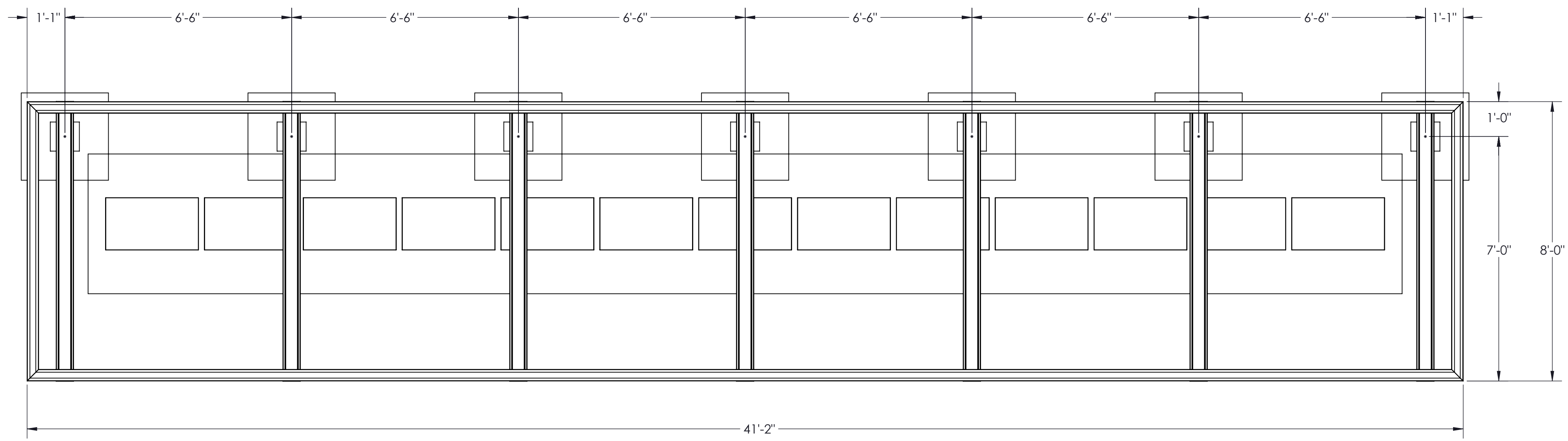


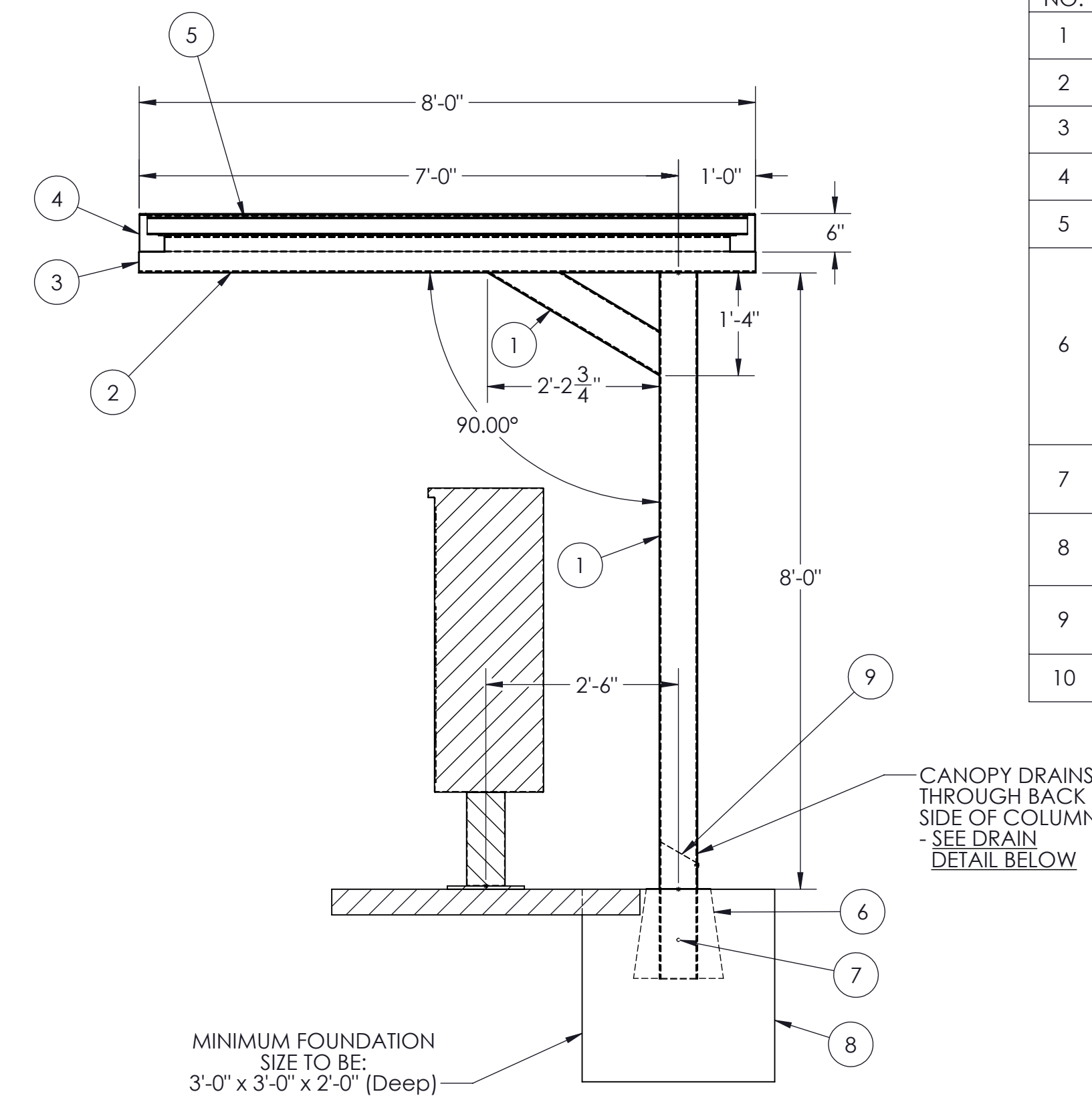
8FT CANTILEVER MAILBOX (CBU) CANOPY



1761 McCoba Drive, Suite A, Smyrna, GA 30080
Phone: (770) 431-7300 Fax: (770) 431-7305

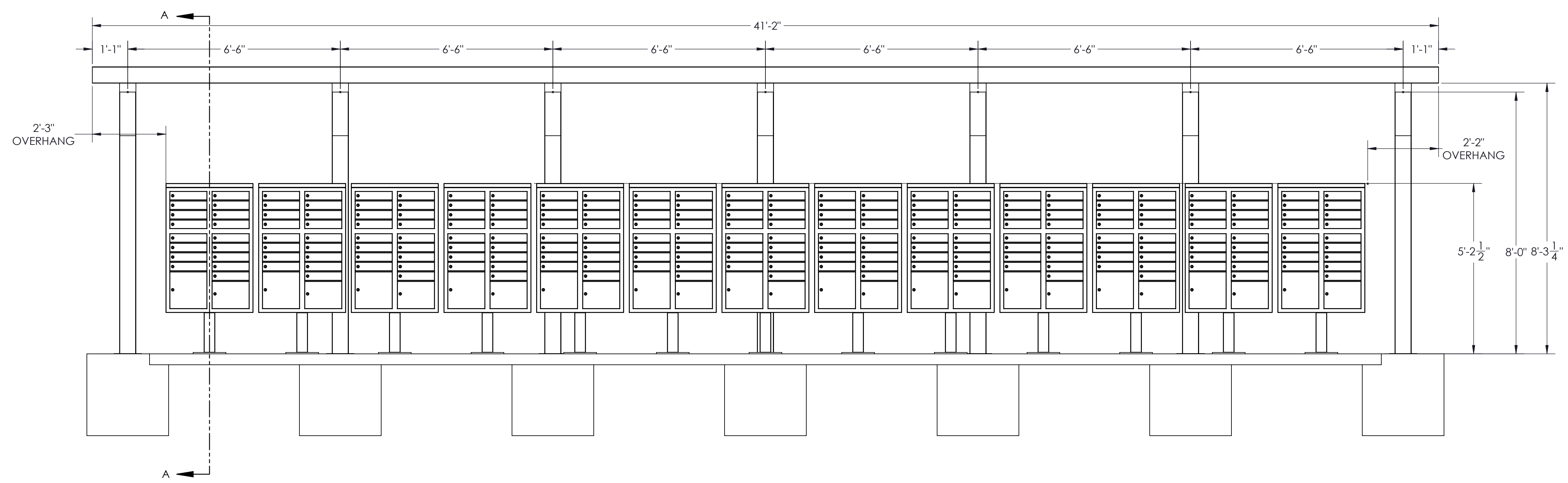


**TOP VIEW - NO DECKING
 FRAMING AND GUTTER LAYOUT**

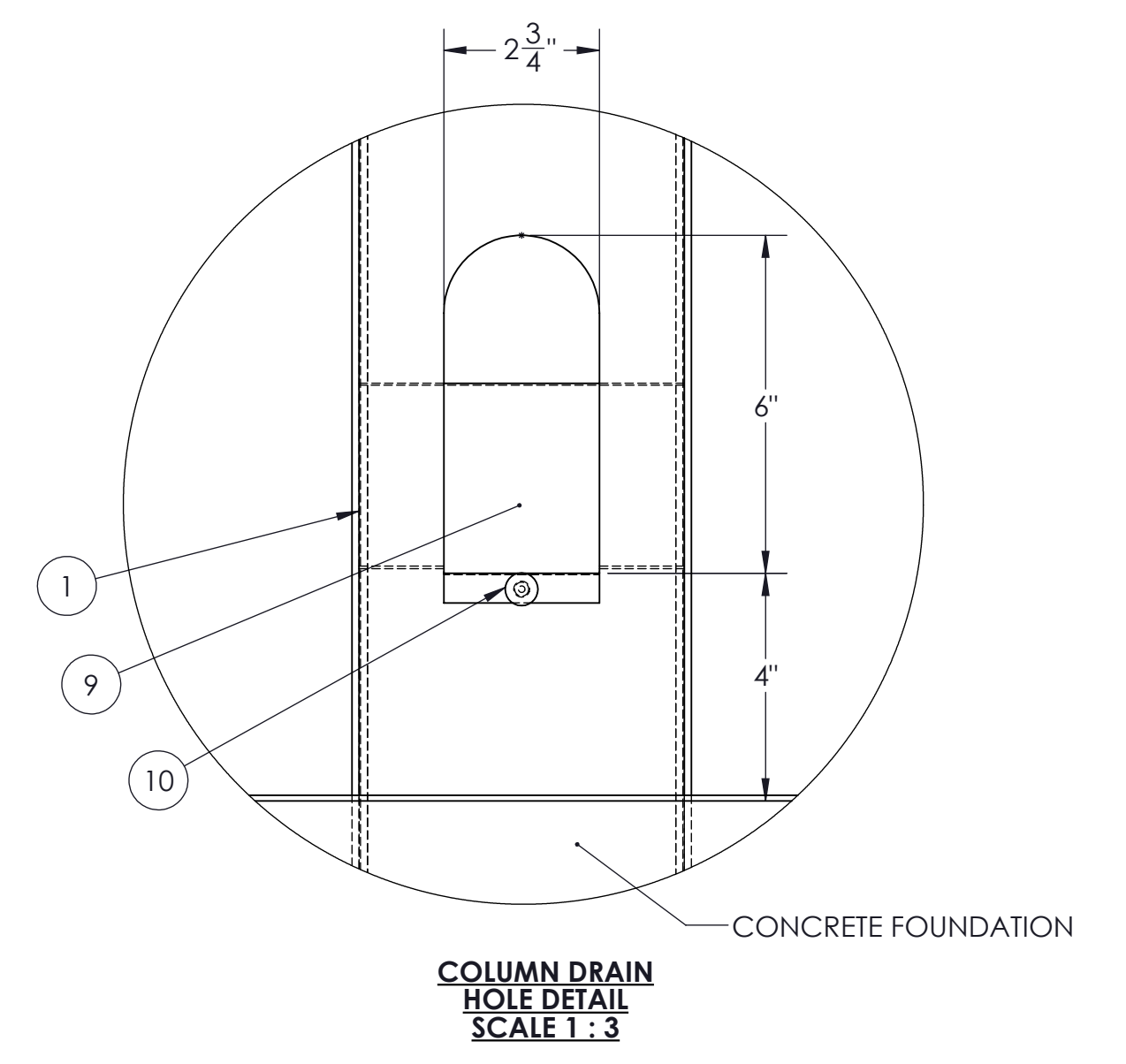


SECTION A-A
 SCALE 1 : 20
SECTION VIEW

ITEM NO.	PART NUMBER	DESCRIPTION
1		6 x 6 x .150 Tube
2		6X6 Beam
3		6 Inch End Cap
4		4X6 GUTTER
5		3 x 12 x 0.040 Roll Formed Flat Pan
6	Medium Blockout	Removed and filled with concrete during canopy installation (10in.x10in. @ top, 14in.x14in. @ bottom, 14in. tall) (installed by others)
7	9 Inch #4 Grade 60 Rebar	
8	Concrete Footing (Medium)	3'-0" x 3'-0" x 2'-0" Deep
9	6"x6" DEFLECTOR PLATE	6x6 Deflector Plate
10	ALUMINUM RIVET	ALUMINUM RIVET



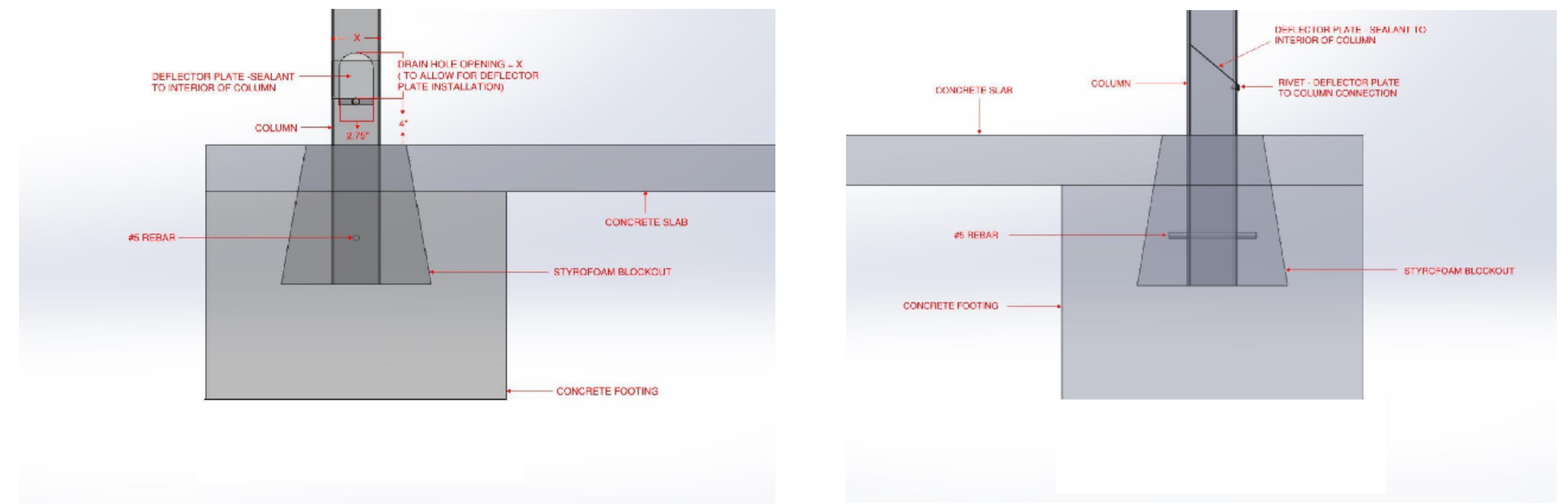
ELEVATION VIEW



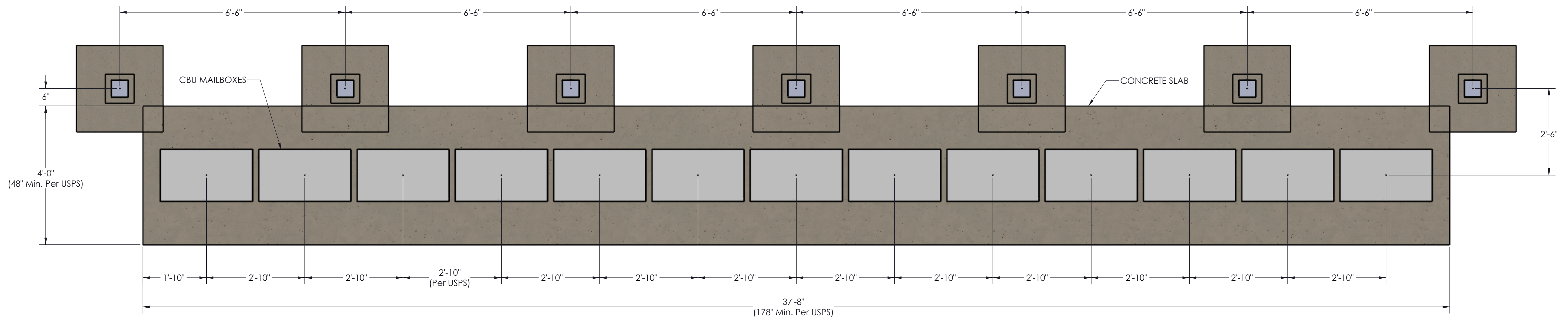
COLUMN DRAIN HOLE DETAIL
 SCALE 1 : 3

GENERAL NOTES:

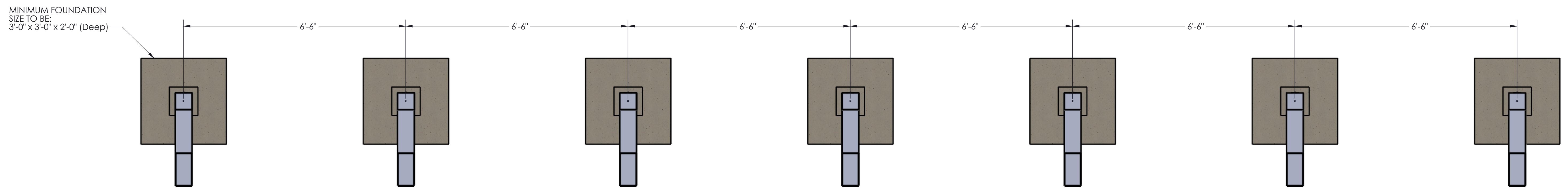
- Max column height to be 9'-0" (canopy is designed at 8'-0"). Canopy can be lowered to compensate for slope of ground
- Minimum footing size is based on 1500 PSF soil condition
- Adhere to all local building code, including layout, foundation design and foundation depth (i.e. frost line depth)
- Canopy designs comply with USPS Developers and Builders Guide
- Reference 2010 ADA Standards or Accessible Design for concrete pad
- Reference Mitchell Metals Cluster Box Unit (CBU) Canopy Cover specification - Section 105500 - Postal Specialties
- **DESIGN CRITERIA:** IBC 2018, ASCE 7-16, ADM 2015, Exp. = B, Risk Category = II, Ground Snow Load = 30 psf (max), Live Load = 20 ps
- Wind = 115mph (max), Ground Snow Load = 30psf (max)
- Wind = 140mph (max), Ground Snow Load = 5psf (max)



FOUNDATION/BLOCKOUT DETAILS



**TOP VIEW
 COLUMN/MAILBOX/CONCRETE LAYOUT**



**TOP VIEW
 COLUMN/MAILBOX/CONCRETE LAYOUT**

STYLE:
13 CLUSTER BOX UNIT (CBU) CANOPY