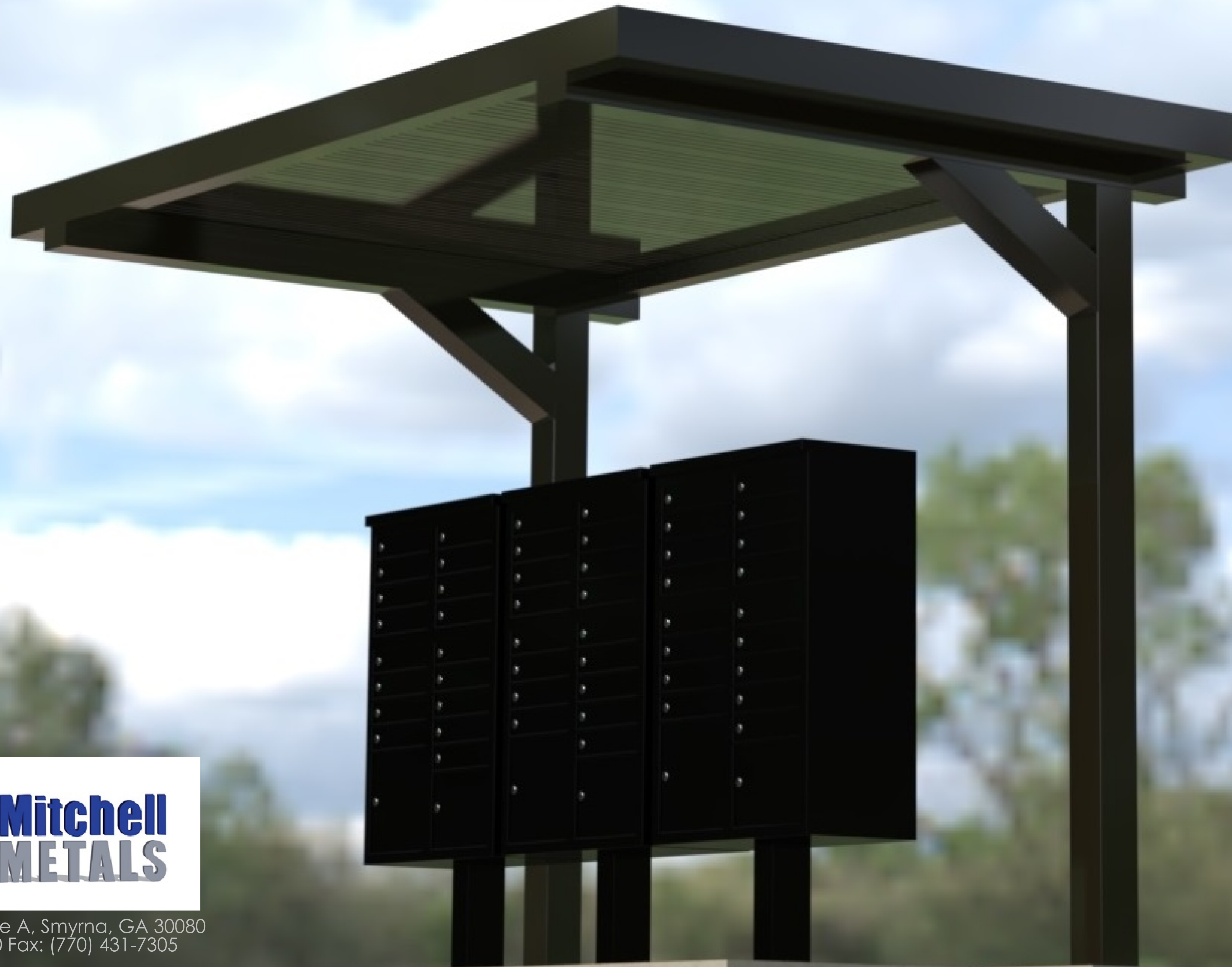
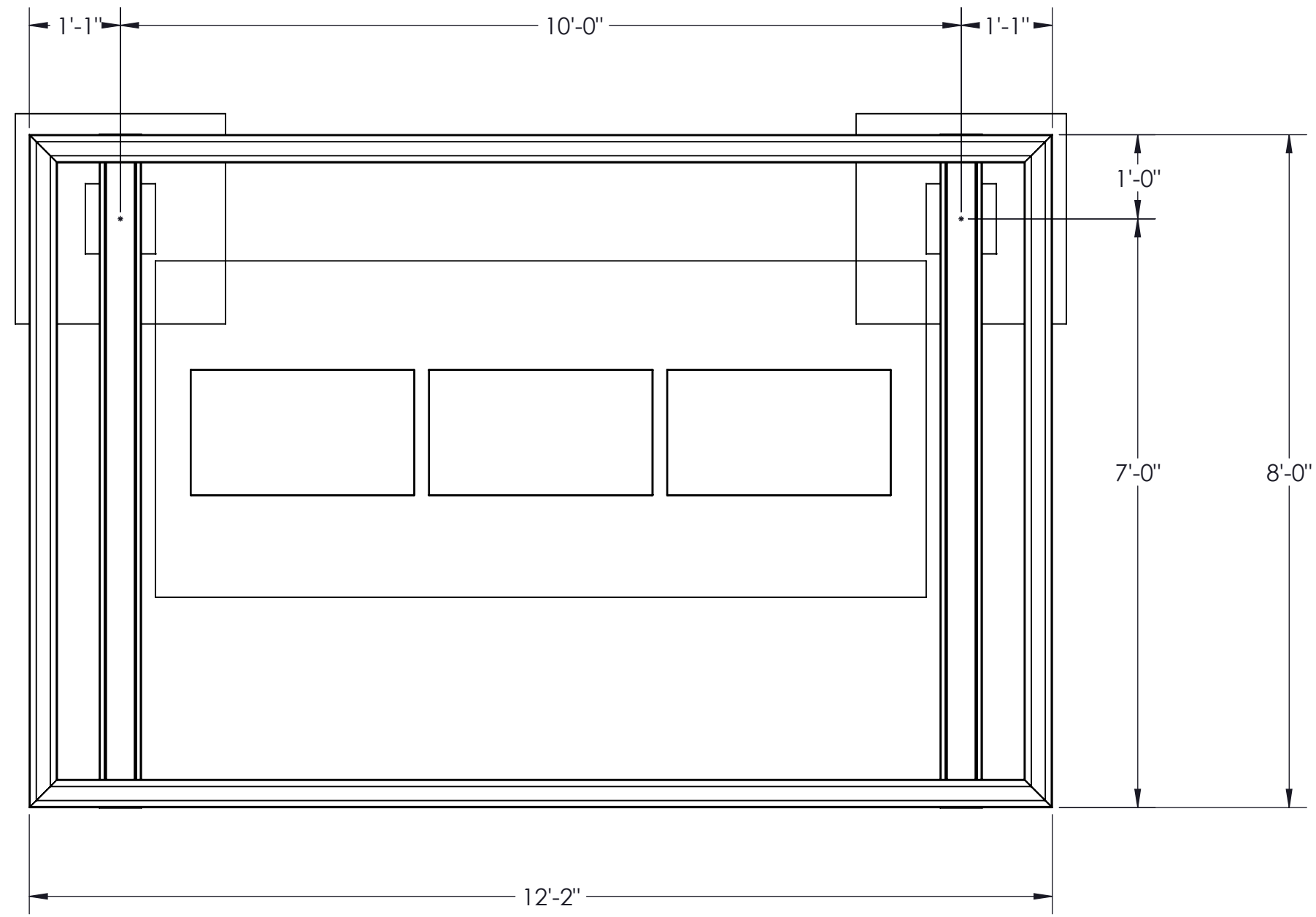


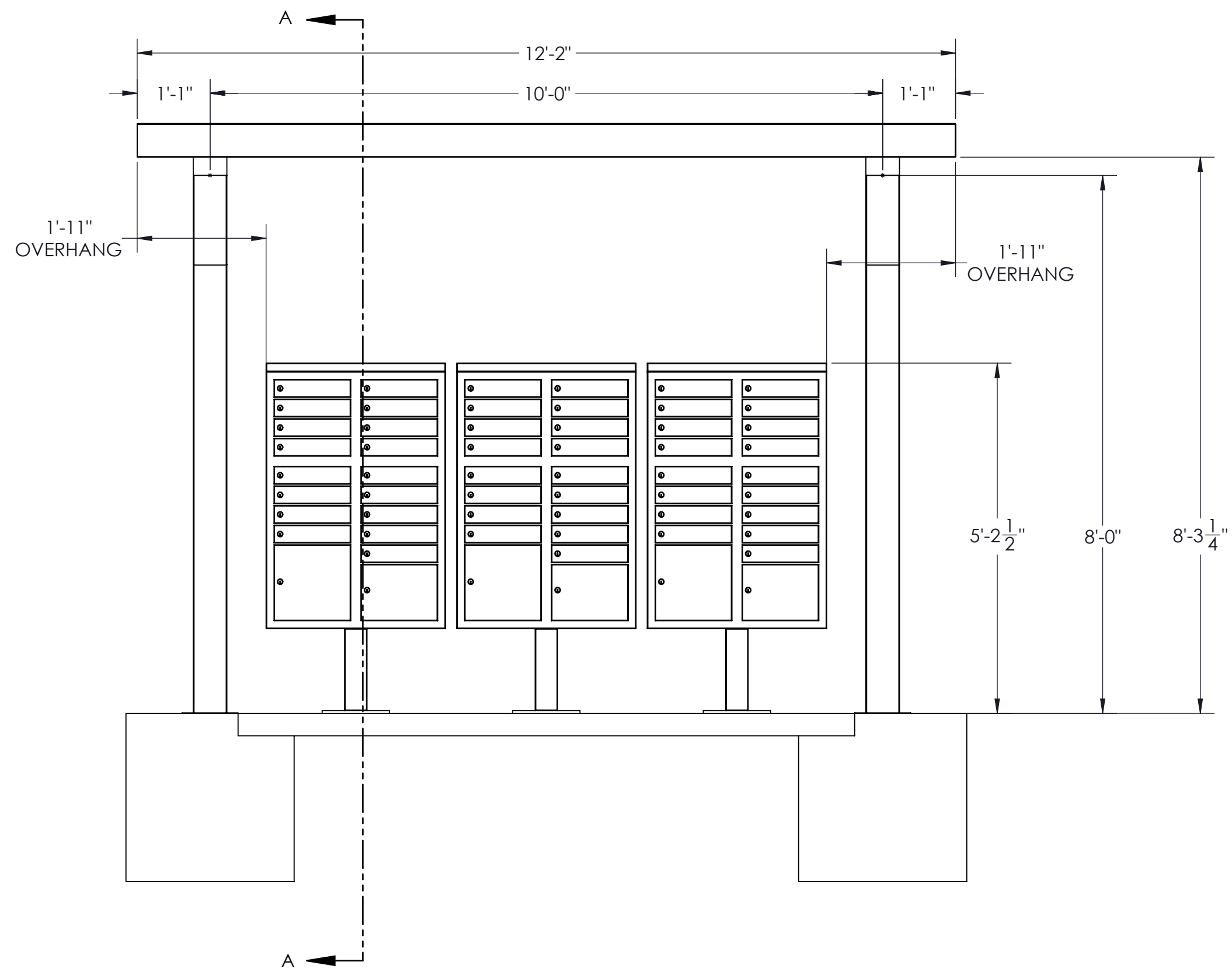
8FT CANTILEVER MAILBOX (CBU) CANOPY



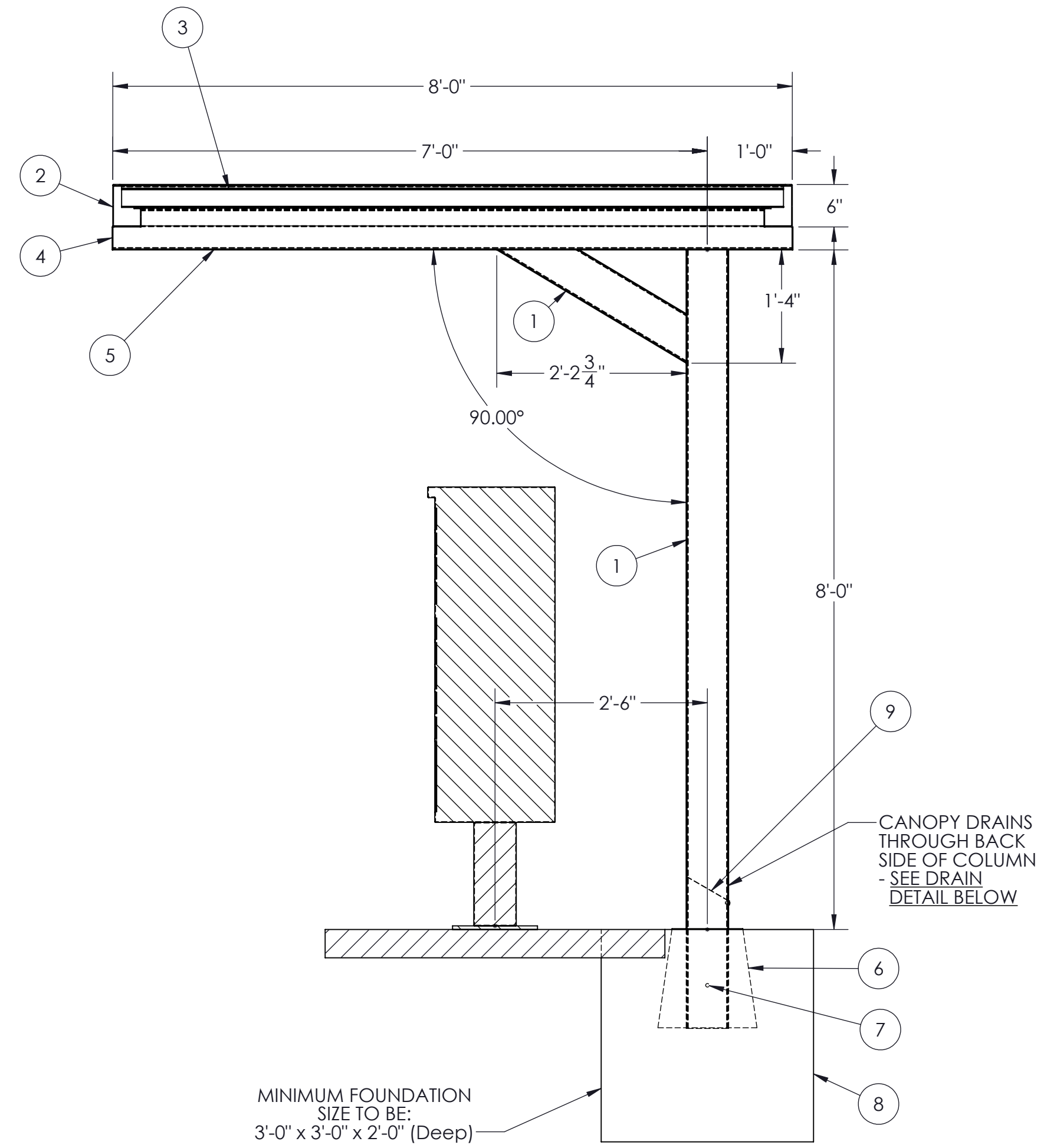
1761 McCoba Drive, Suite A, Smyrna, GA 30080
Phone: (770) 431-7300 Fax: (770) 431-7305



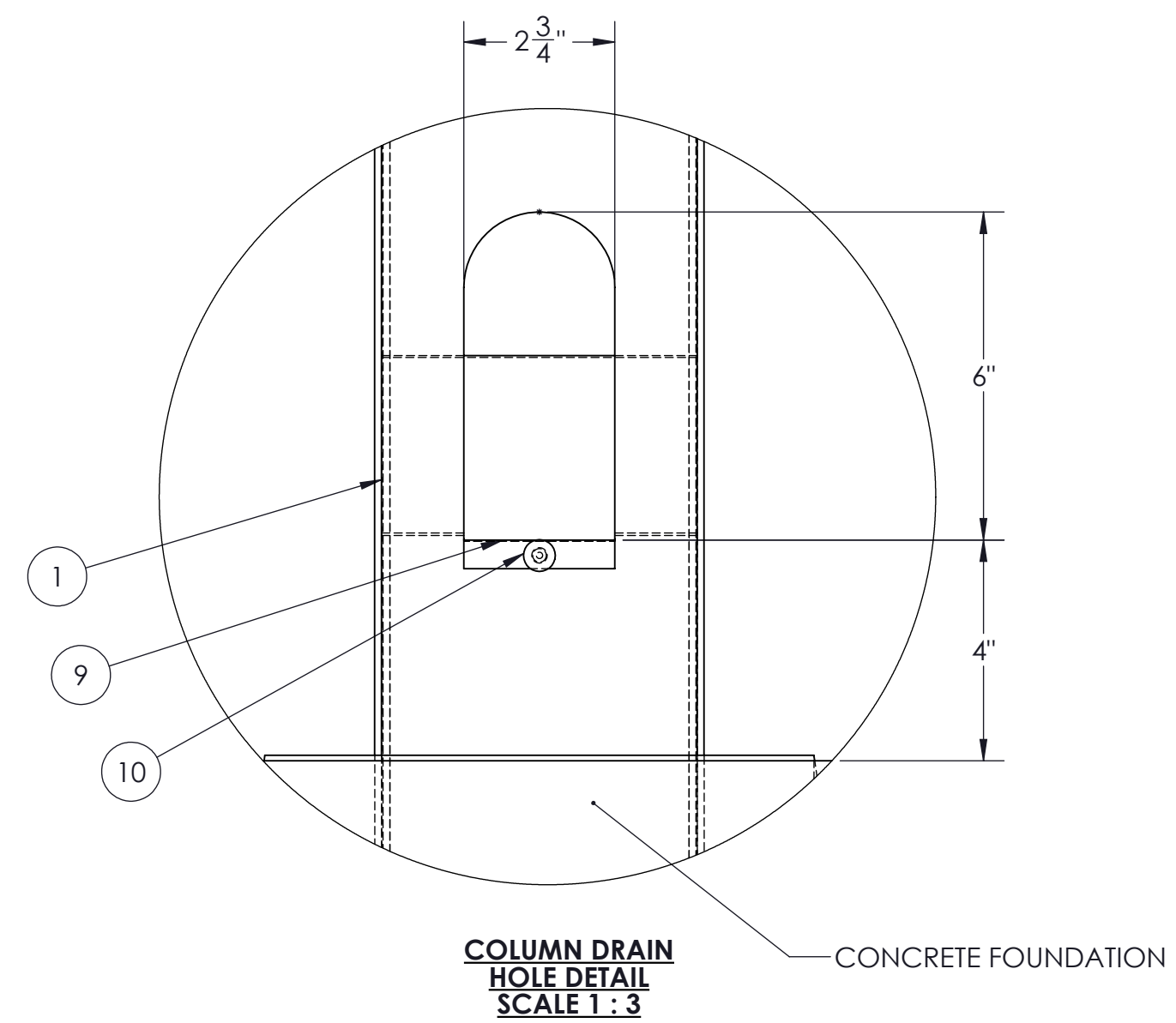
**TOP VIEW - NO DECKING
 FRAMING AND GUTTER LAYOUT**



ELEVATION VIEW



**SECTION A-A
 SCALE 1:16**

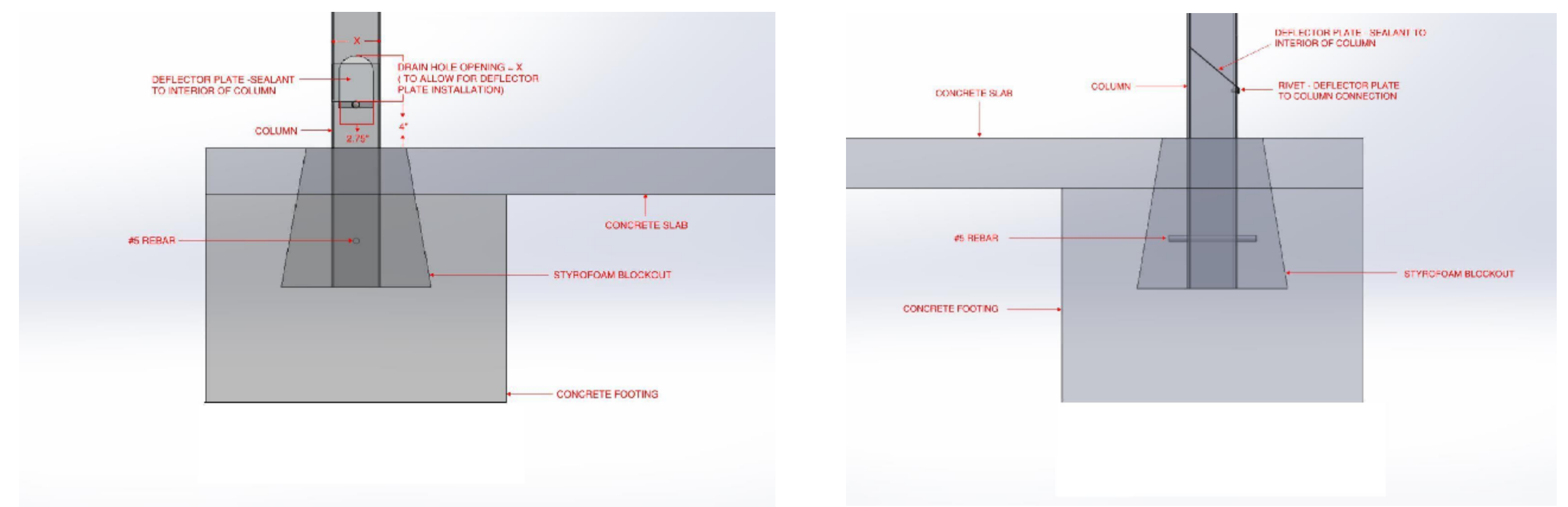


**COLUMN DRAIN
 HOLE DETAIL
 SCALE 1:3**

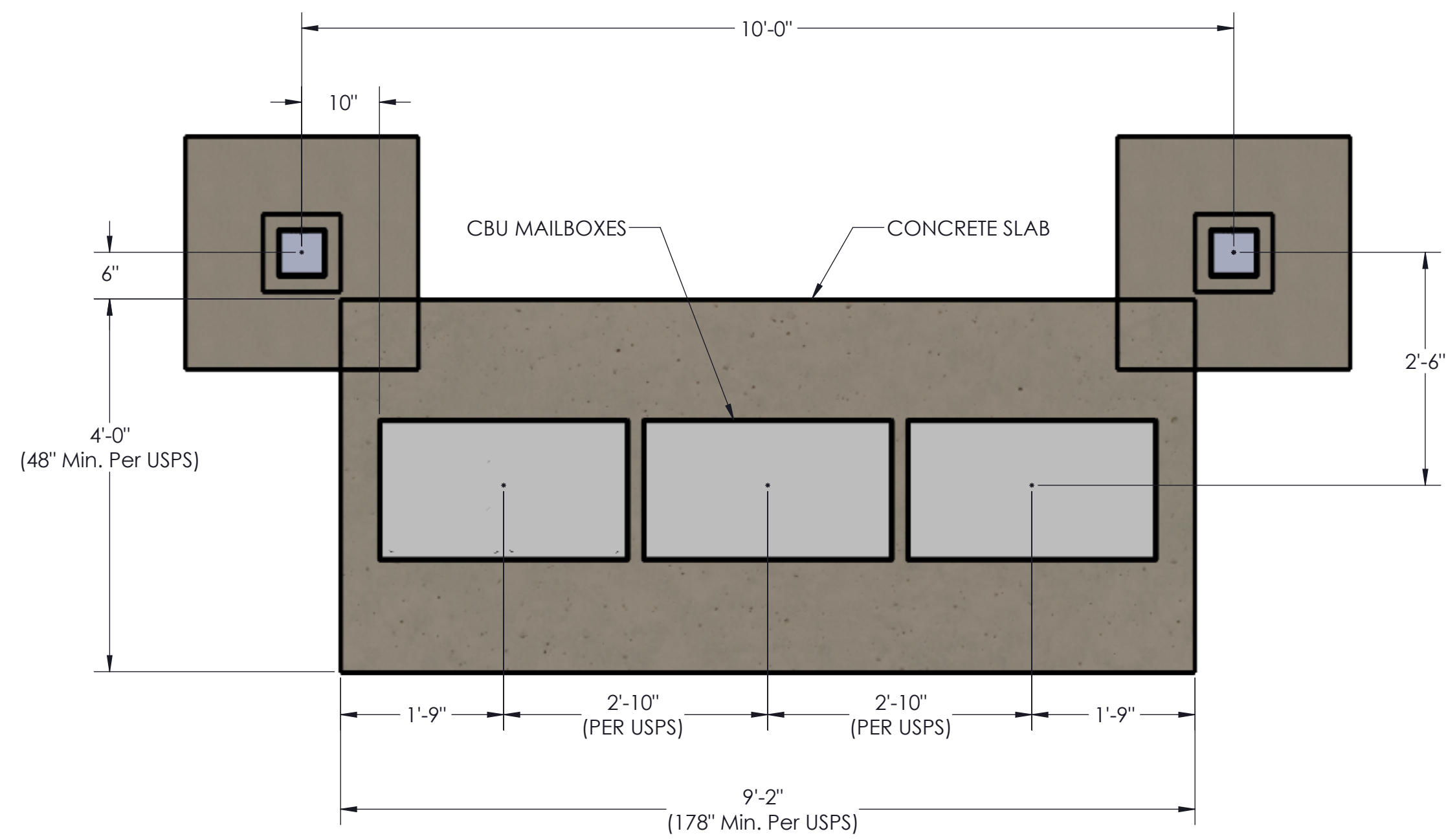
| ITEM NO. | PART NUMBER | DESCRIPTION |
|----------|---------------------------|---|
| 1 | | 6 x 6 x .150 Tube |
| 2 | | 4X6 GUTTER |
| 3 | | 3 x 12 x 0.040 Roll Formed Flat Pan |
| 4 | | 6 Inch End Cap |
| 5 | | 6X6 Beam |
| 6 | Medium Blockout | Removed and filled with concrete during canopy installation (10in.x10in. @ top, 14in.x14in. @ bottom, 14in. tall) (installed by others) |
| 7 | 9 Inch #4 Grade 60 Rebar | |
| 8 | Concrete Footing (Medium) | 3'-0" x 3'-0" x 2'-0" Deep |
| 9 | 6'x6" DEFLECTOR PLATE | 6x6 Deflector Plate |
| 10 | ALUMINUM RIVET | ALUMINUM RIVET |

GENERAL NOTES:

- Max column height to be 9'-0" (canopy is designed at 8'-0"). Canopy can be lowered to compensate for slope of ground
- Minimum footing size is based on 1500 PSF soil condition
- Adhere to all local building code, including layout, foundation design and foundation depth (i.e. frost line depth)
- Canopy designs comply with USPS Developers and Builders Guide
- Reference 2010 ADA Standards or Accessible Design for concrete pad
- Reference Mitchell Metals Cluster Box Unit (CBU) Canopy Cover specification - Section 105500 - Postal Specialties
- **DESIGN CRITERIA:** IBC 2018, ASCE 7-16, ADM 2015, Exp. = B,
 Risk Category = II, Ground Snow Load = 30 psf (max), Live Load = 20psf
 - Wind = 115mph (max), Ground Snow Load = 30psf (max)
 - Wind = 140mph (max), Ground Snow Load = 5psf (max)

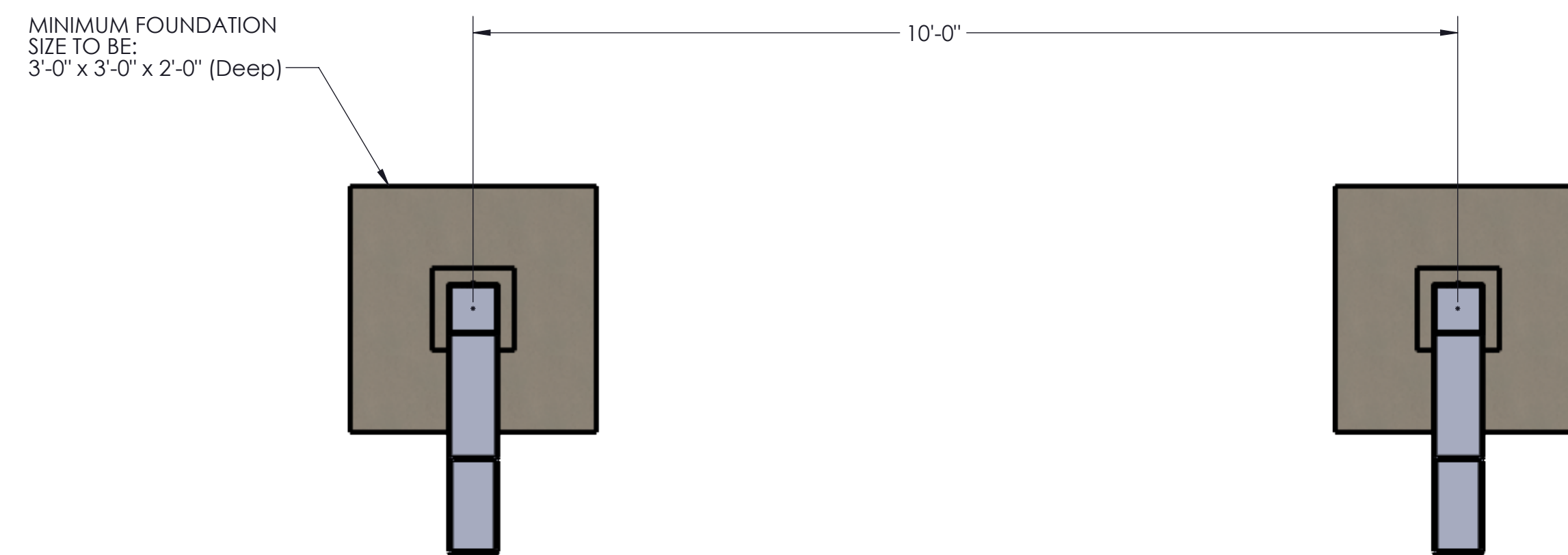


FOUNDATION/BLOCKOUT DETAILS



TOP VIEW

COLUMN/MAILBOX/CONCRETE LAYOUT



TOP VIEW

COLUMN/MAILBOX/CONCRETE LAYOUT