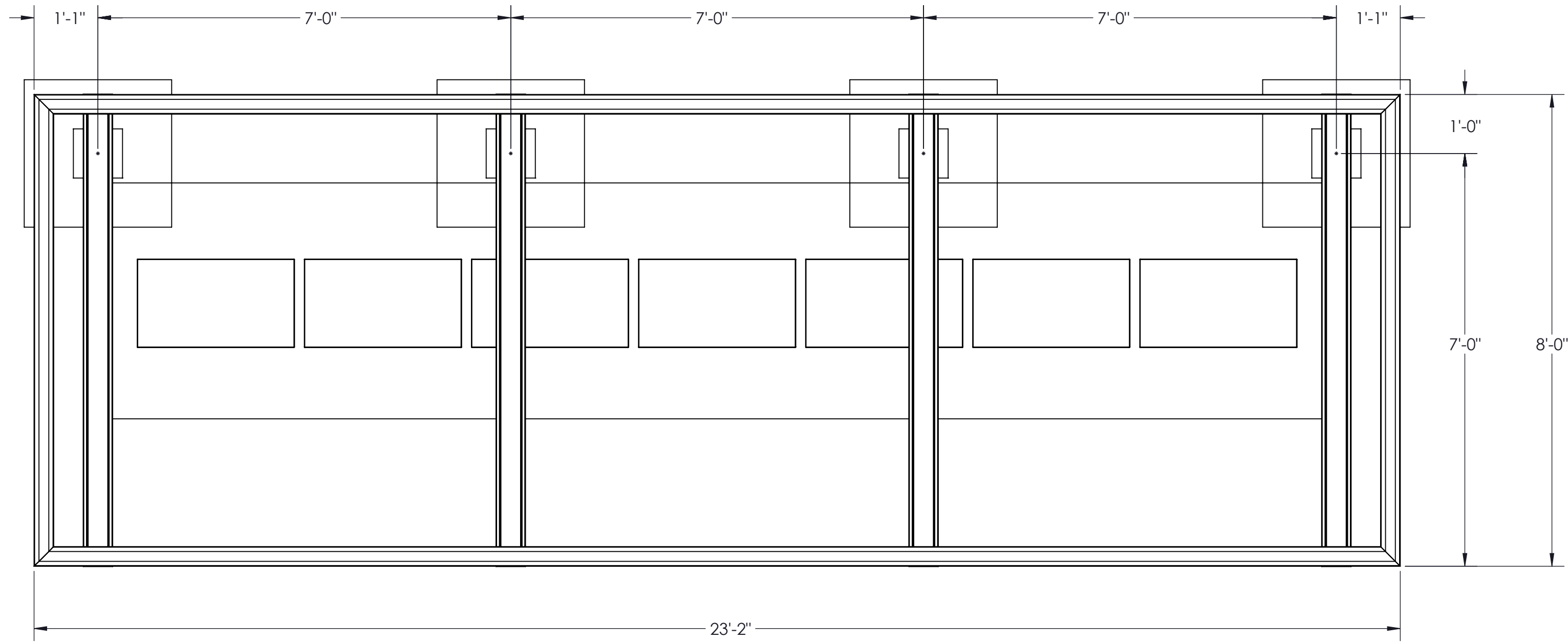


# 8FT CANTILEVER MAILBOX (CBU) CANOPY

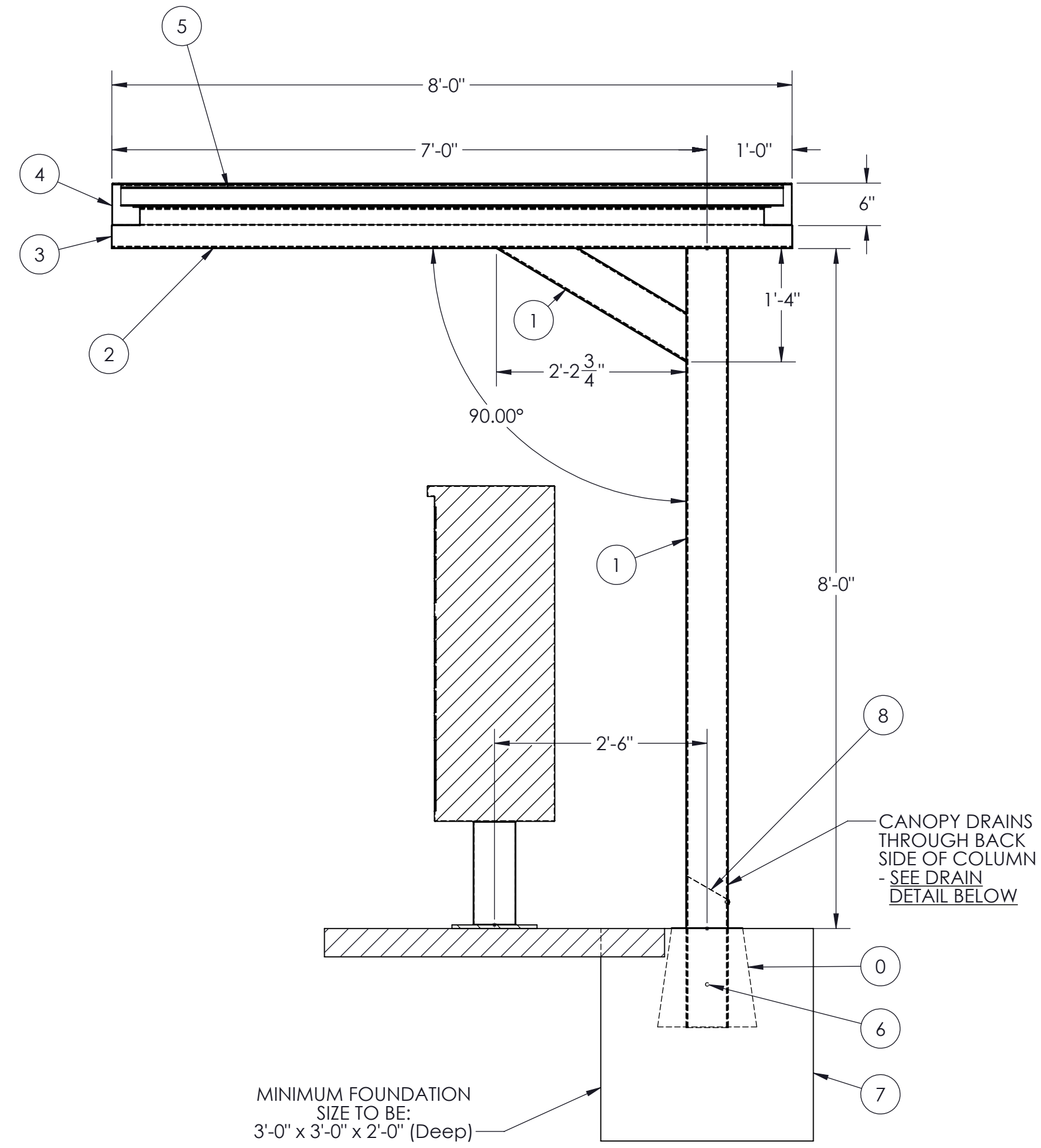


1761 McCoba Drive, Suite A, Smyrna, GA 30080  
Phone: (770) 431-7300 Fax: (770) 431-7305

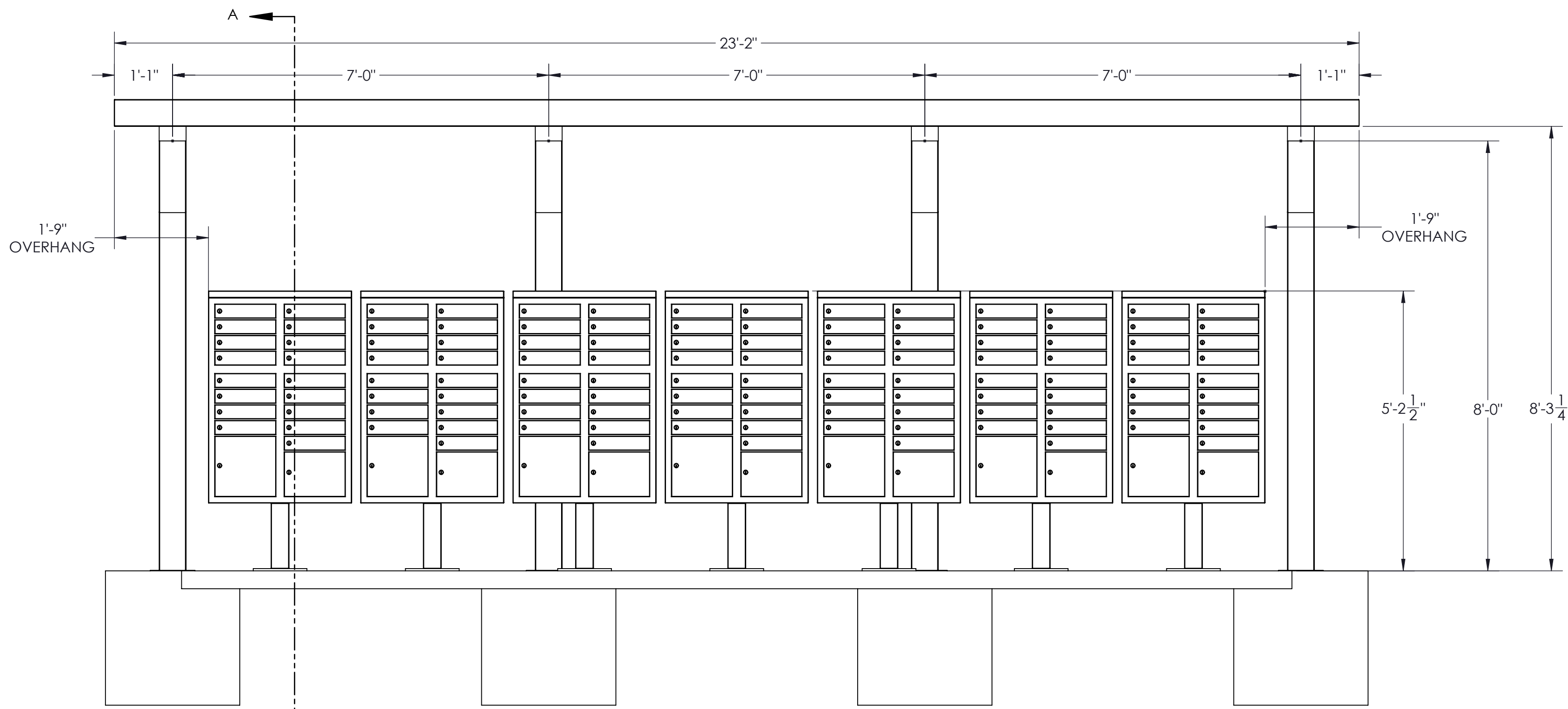
ITEM NO.	PART NUMBER	DESCRIPTION
1		6 x 6 x .150 Tube
2		6X6 Beam
3		6 Inch End Cap
4		4X6 GUTTER
5		3 x 12 x 0.040 Roll Formed Flat Pan
6		9 Inch #4 Grade 60 Rebar
7		Concrete Footing (Medium)
8		3'-0" x 3'-0" x 2'-0" Deep
8		6"x6" DEFLECTOR PLATE
9		ALUMINUM RIVET
		ALUMINUM RIVET



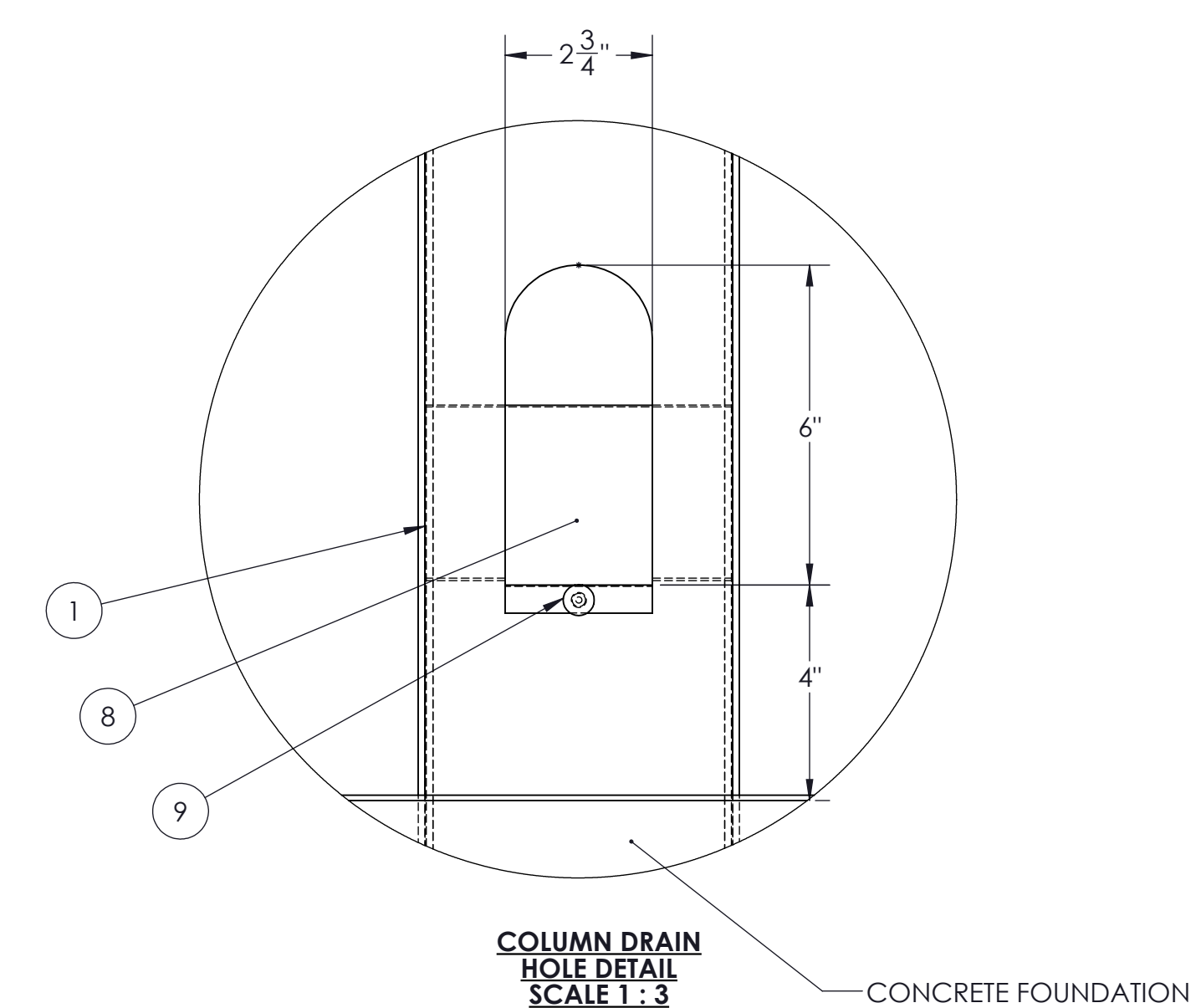
**TOP VIEW - NO DECKING  
FRAMING AND GUTTER LAYOUT**



**SECTION A-A  
SCALE 1:16**



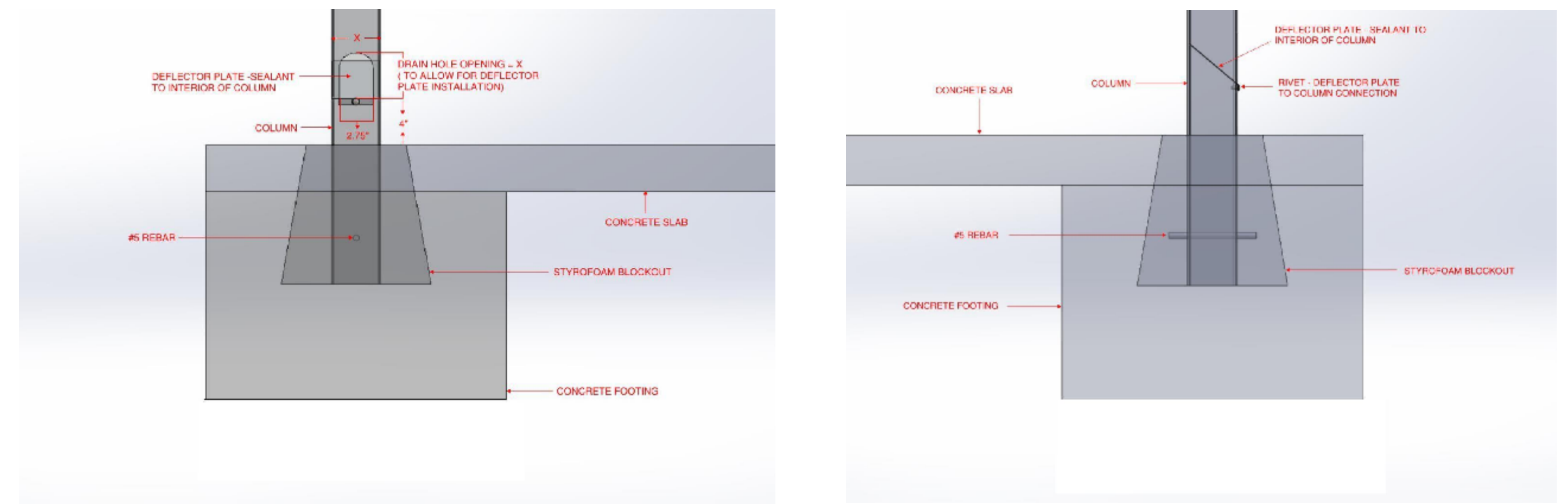
**ELEVATION VIEW**



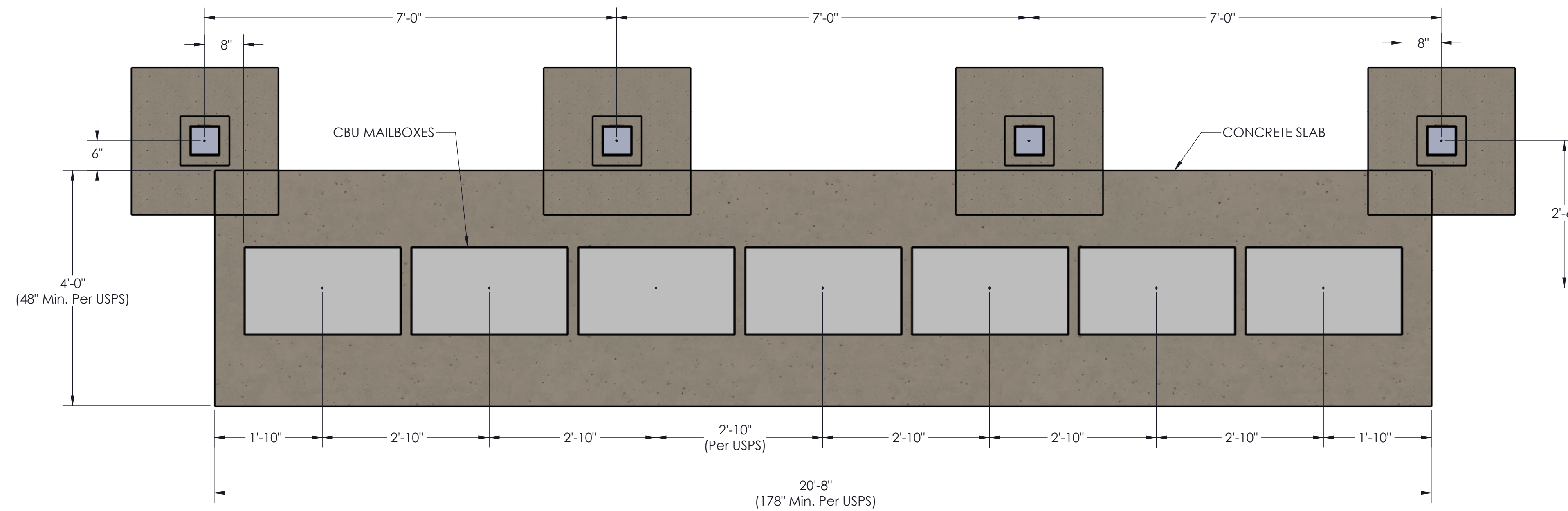
**COLUMN DRAIN  
HOLE DETAIL  
SCALE 1:3**

**GENERAL NOTES:**

- Max column height to be 9'-0" (canopy is designed at 8'-0"). Canopy can be lowered to compensate for slope of ground
- Minimum footing size is based on 1500 PSF soil condition
- Adhere to all local building code, including layout, foundation design and foundation depth (i.e. frost line depth)
- Canopy designs comply with USPS Developers and Builders Guide
- Reference 2010 ADA Standards or Accessible Design for concrete pad
- Reference Mitchell Metals Cluster Box Unit (CBU) Canopy Cover specification - Section 105500 - Postal Specialties
- DESIGN CRITERIA: IBC 2018, ASCE 7-16, ADM 2015, Exp. = B, Risk Category = II, Ground Snow Load = 30 psf (max), Live Load = 20 ps
- Wind = 115mph (max), Ground Snow Load = 30psf (max)
- Wind = 140mph (max), Ground Snow Load = 5psf (max)

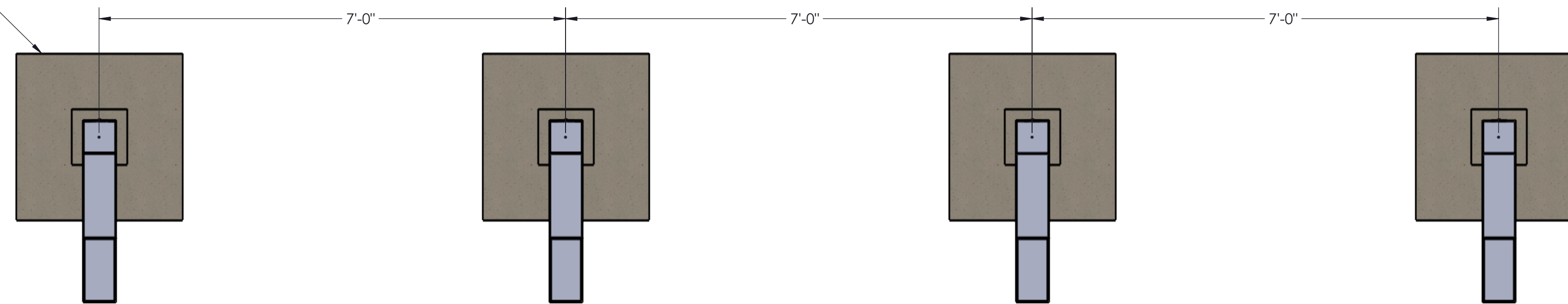


**FOUNDATION/BLOCKOUT DETAILS**



**TOP VIEW  
 COLUMN/MAILBOX/CONCRETE LAYOUT**

MINIMUM FOUNDATION SIZE TO BE: 3'-0" x 3'-0" x 2'-0" (Deep)



**TOP VIEW  
 COLUMN/MAILBOX/CONCRETE LAYOUT**

STYLE:  
**7 CLUSTER BOX UNIT (CBU) CANOPY**